

# ARM® CoreLink™ MMU-500 System Memory Management Unit

Revision: r2p4

## Technical Reference Manual



# ARM CoreLink MMU-500 System Memory Management Unit

## Technical Reference Manual

Copyright © 2013, 2014, 2016 ARM. All rights reserved.

### Release Information

The following changes have been made to this book.

#### Change history

Date	Issue	Confidentiality	Change
22 August 2013	A	Non-Confidential	First release for r0p0.
28 November 2013	B	Non-Confidential	First release for r1p0.
25 February 2014	C	Non-Confidential	First release for r2p0.
03 June 2014	D	Non-Confidential	First release for r2p1.
28 November 2014	E	Non-Confidential	First release for r2p2.
12 February 2016	F	Non-Confidential	First release for r2p4.

### Proprietary Notice

This document is protected by copyright and other related rights and the practice or implementation of the information contained in this document may be protected by one or more patents or pending patent applications. No part of this document may be reproduced in any form by any means without the express prior written permission of ARM. **No license, express or implied, by estoppel or otherwise to any intellectual property rights is granted by this document unless specifically stated.**

Your access to the information in this document is conditional upon your acceptance that you will not use or permit others to use the information for the purposes of determining whether implementations infringe any third party patents.

THIS DOCUMENT IS PROVIDED “AS IS”. ARM PROVIDES NO REPRESENTATIONS AND NO WARRANTIES, EXPRESS, IMPLIED OR STATUTORY, INCLUDING, WITHOUT LIMITATION, THE IMPLIED WARRANTIES OF MERCHANTABILITY, SATISFACTORY QUALITY, NON-INFRINGEMENT OR FITNESS FOR A PARTICULAR PURPOSE WITH RESPECT TO THE DOCUMENT. For the avoidance of doubt, ARM makes no representation with respect to, and has undertaken no analysis to identify or understand the scope and content of, third party patents, copyrights, trade secrets, or other rights.

This document may include technical inaccuracies or typographical errors.

TO THE EXTENT NOT PROHIBITED BY LAW, IN NO EVENT WILL ARM BE LIABLE FOR ANY DAMAGES, INCLUDING WITHOUT LIMITATION ANY DIRECT, INDIRECT, SPECIAL, INCIDENTAL, PUNITIVE, OR CONSEQUENTIAL DAMAGES, HOWEVER CAUSED AND REGARDLESS OF THE THEORY OF LIABILITY, ARISING OUT OF ANY USE OF THIS DOCUMENT, EVEN IF ARM HAS BEEN ADVISED OF THE POSSIBILITY OF SUCH DAMAGES.

This document consists solely of commercial items. You shall be responsible for ensuring that any use, duplication or disclosure of this document complies fully with any relevant export laws and regulations to assure that this document or any portion thereof is not exported, directly or indirectly, in violation of such export laws. Use of the word “partner” in reference to ARM’s customers is not intended to create or refer to any partnership relationship with any other company. ARM may make changes to this document at any time and without notice.

If any of the provisions contained in these terms conflict with any of the provisions of any signed written agreement covering this document with ARM, then the signed written agreement prevails over and supersedes the conflicting provisions of these terms.

Words and logos marked with ® or ™ are registered trademarks or trademarks of ARM Limited or its affiliates in the EU and/or elsewhere. All rights reserved. Other brands and names mentioned in this document may be the trademarks of their respective owners. Please follow ARM’s trademark usage guidelines at <http://www.arm.com/about/trademarks/guidelines/index.php>

Copyright © 2013, 2014, 2016 ARM Limited or its affiliates. All rights reserved.

ARM Limited. Company 02557590 registered in England.

110 Fulbourn Road, Cambridge, England CB1 9NJ.

LES-PRE-20349

**Confidentiality Status**

This document is Non-Confidential. The right to use, copy and disclose this document may be subject to license restrictions in accordance with the terms of the agreement entered into by ARM and the party that ARM delivered this document to.

**Product Status**

The information in this document is final, that is for a developed product.

**Web Address**

<http://www.arm.com>

# Contents

## ARM CoreLink MMU-500 System Memory Management Unit Technical Reference Manual

	<b>Preface</b>	
	About this book .....	vii
	Feedback .....	x
<b>Chapter 1</b>	<b>Introduction</b>	
	1.1 About the MMU-500 .....	1-2
	1.2 Compliance .....	1-6
	1.3 Features .....	1-7
	1.4 Interfaces .....	1-9
	1.5 Configurable options .....	1-10
	1.6 Product documentation and design flow .....	1-12
	1.7 Test features .....	1-14
	1.8 Product revisions .....	1-15
<b>Chapter 2</b>	<b>Functional description</b>	
	2.1 About the functions .....	2-2
	2.2 Interfaces .....	2-4
	2.3 Operation .....	2-12
	2.4 Cache structures of the MMU-500 .....	2-19
	2.5 Constraints and limitations of use .....	2-21
<b>Chapter 3</b>	<b>Programmers model</b>	
	3.1 About this programmers model .....	3-2
	3.2 Modes of operation and execution .....	3-3
	3.3 Memory model .....	3-4
	3.4 Register summary .....	3-9

3.5	Global address space 0 .....	3-12
3.6	Global address space 1 .....	3-24
3.7	Translation context address space .....	3-25
3.8	Integration registers .....	3-26
3.9	Peripheral and component identification registers .....	3-36

## Appendix A

### Signal descriptions

A.1	Clock and reset signals .....	A-2
A.2	ACE-Lite signals .....	A-3
A.3	Low-power interface signals .....	A-11
A.4	Miscellaneous signals .....	A-13

## Appendix B

### Revisions

# Preface

This preface introduces the *ARM® Corelink™ MMU-500 System Memory Management Unit Technical Reference Manual*. It contains the following sections:

- [About this book on page vii.](#)
- [Feedback on page x.](#)

## About this book

This book is for the MMU-500.

## Product revision status

The *mpn* identifier indicates the revision status of the product described in this book, where:

- rn** Identifies the major revision of the product.
- pn** Identifies the minor revision or modification status of the product.

## Intended audience

This book is written for system designers, system integrators, and programmers who are designing or programming a device that uses the MMU-500.

## Using this book

This book is organized into the following chapters:

### Chapter 1 *Introduction*

Read this for an introduction to the MMU-500 and its features.

### Chapter 2 *Functional description*

Read this for an overview of the major functional blocks and the operation of the MMU-500.

### Chapter 3 *Programmers model*

Read this for a description of the MMU-500 memory map and registers.

### Appendix A *Signal descriptions*

Read this for a description of the MMU-500 signals.

### Appendix B *Revisions*

Read this for a description of the technical changes between released issues of this book.

## Glossary

The *ARM® Glossary* is a list of terms used in ARM documentation, together with definitions for those terms. The *ARM® Glossary* does not contain terms that are industry standard unless the ARM meaning differs from the generally accepted meaning.

See *ARM® Glossary*,

<http://infocenter.arm.com/help/topic/com.arm.doc.aeg0014-/index.html>.

## Conventions

This book uses the conventions that are described in:

- *Typographical conventions* on page viii.
- *Signals* on page viii.

## Typographical conventions

The following table describes the typographical conventions:

<b>Typographical conventions</b>	
<b>Style</b>	<b>Purpose</b>
<i>italic</i>	Introduces special terminology, denotes cross-references, and citations.
<b>bold</b>	Highlights interface elements, such as menu names. Denotes signal names. Also used for terms in descriptive lists, where appropriate.
monospace	Denotes text that you can enter at the keyboard, such as commands, file and program names, and source code.
<u>monospace</u>	Denotes a permitted abbreviation for a command or option. You can enter the underlined text instead of the full command or option name.
monospace <i>italic</i>	Denotes arguments to monospace text where the argument is to be replaced by a specific value.
<b>monospace bold</b>	Denotes language keywords when used outside example code.
<and>	Encloses replaceable terms for assembler syntax where they appear in code or code fragments. For example: MRC p15, 0 <Rd>, <CRn>, <CRm>, <Opcode_2>
SMALL CAPITALS	Used in body text for a few terms that have specific technical meanings, that are defined in the <i>ARM® Glossary</i> . For example, IMPLEMENTATION DEFINED, IMPLEMENTATION SPECIFIC, UNKNOWN, and UNPREDICTABLE.

## Signals

The signal conventions are:

**Signal level**      The level of an asserted signal depends on whether the signal is active-HIGH or active-LOW. Asserted means:

- HIGH for active-HIGH signals.
- LOW for active-LOW signals.

**Lowercase n**      At the start or end of a signal name denotes an active-LOW signal.

## Additional reading

This section lists publications by ARM and by third parties.

See Infocenter, <http://infocenter.arm.com>, for access to ARM documentation.

## ARM publications

This book contains information that is specific to this product. See the following documents for other relevant information:

- *ARM® System Memory Management Unit Architecture Specification* (ARM IHI 0062).
- *ARM® CoreSight™ Architecture Specification* (ARM IHI 0029).
- *ARM® Architecture Reference Manual ARMv7-A and ARMv7-R edition* (ARM DDI 0406).
- *ARM® Architecture Reference Manual, ARMv8, for ARMv8-A architecture profile* (ARM DDI 0487).
- *ARM® AMBA® AXI and ACE Protocol Specification AXI3, AXI4, and AXI4-Lite ACE and ACE-Lite* (ARM IHI 0022).



- *Low Power Interface Specification, ARM® Q-Channel and P-Channel Interfaces* (ARM IHI 0068).

The following confidential books are only available to licensees:

- *ARM® CoreLink™ MMU-500 System Memory Management Unit Supplement to AMBA® Designer (ADR-400) User Guide* (ARM DSU 0031).
- *ARM® CoreLink™ MMU-500 System Memory Management Unit Technical Reference Manual Supplement* (ARM DSU 0030).
- *ARM® CoreLink™ MMU-500 System Memory Management Unit Implementation Guide* (ARM DII 0289).
- *ARM® CoreLink™ MMU-500 System Memory Management Unit Integration Manual* (ARM DIT 0051).

## Feedback

ARM welcomes feedback on this product and its documentation.

### Feedback on this product

If you have any comments or suggestions about this product, contact your supplier and give:

- The product name.
- The product revision or version.
- An explanation with as much information as you can provide. Include symptoms and diagnostic procedures if appropriate.

### Feedback on content

If you have comments on content then send an e-mail to [errata@arm.com](mailto:errata@arm.com). Give:

- The title.
- The number, ARM DDI 0517F.
- The page numbers to which your comments apply.
- A concise explanation of your comments.

ARM also welcomes general suggestions for additions and improvements.

———— **Note** —————

ARM tests the PDF only in Adobe Acrobat and Acrobat Reader, and cannot guarantee the quality of the represented document when used with any other PDF reader.

---

# Chapter 1

## Introduction

This chapter provides an overview of the MMU-500. It contains the following sections:

- *About the MMU-500* on page 1-2.
- *Compliance* on page 1-6.
- *Features* on page 1-7.
- *Interfaces* on page 1-9.
- *Configurable options* on page 1-10.
- *Product documentation and design flow* on page 1-12.
- *Test features* on page 1-14.
- *Product revisions* on page 1-15.

## 1.1 About the MMU-500

The MMU-500 is a system-level *Memory Management Unit* (MMU) that translates an input address to an output address, based on address mapping and memory attribute information available in the MMU-500 internal registers and translation tables.

An address translation from an input address to an output address is described as a stage of address translation.

The MMU-500 supports the translation table formats defined by the ARM architecture, ARMv7 and ARMv8, and can perform:

- Stage 1 translations that translate an input *Virtual Address* (VA) to an output *Physical Address* (PA) or *Intermediate Physical Address* (IPA).
- Stage 2 translations that translate an input IPA to an output PA.
- Combined stage 1 and stage 2 translations that translate an input VA to an output IPA, and then translate that IPA to a PA. The MMU-500 performs translation table walks for each stage of the translation.

Address translation can span over two stages, namely stage 1 and stage 2. Address translation can require multiple translation table lookups. Each translation table lookup is described as a level of address lookup. Each level of stage 1 translation might require additional stage 2 translation.

In addition to translating an input address to an output address, a stage of address translation also defines the memory attributes of the output address. With a two-stage translation, the stage 2 translation can modify the attributes defined by the stage 1 translation.

A stage of address translation can be disabled or bypassed, and the MMU-500 can define memory attributes for disabled and bypassed stages of translation.

The MMU-500 uses inputs from the requesting master to identify a context. This context tells the MMU-500 what resources to use for the translation, including the translation tables to use.

For the stage 1 translations that are typically associated with application and OS-level operation, the VA range can be split into two subranges, translated by Translation Table Base registers, TTBR0 and TTBR1, each with associated translation tables and control registers.

These features mean the MMU-500 can perform address translations with the following page size limitations, for memory accesses from either AArch32 state or from AArch64 state:

### ARMv7 architecture

The MMU-500 supports all page sizes.

### ARMv8 architecture

Apart from the 16KB page granule, the MMU-500 supports all page sizes.

Stage 1 translations are supported for both Secure and Non-secure translation contexts. Usually, the appropriate OS:

- Defines the translation tables, in memory, for the stage 1 translations for its security state.
- Programs the MMU-500 to configure stage 1 translations, and then enables the translations.

Stage 2 translations are supported only for Non-secure translation contexts. The typical usage model for two stages of address translation is as follows:

- The Non-secure operating system defines the stage 1 address translations for application-level and OS-level operation. It does this assuming it is mapping from the VAs used by the processors to PAs in the physical memory system. However, it actually maps VAs to IPAs.

———— **Note** —————

This mapping means that all the addresses the OS uses in the translation tables that it defines are in the IPA address space, and require a stage 2 translation to map them to the PA address space.

- The hypervisor defines the stage 2 address translations that map the IPAs to PAs. It does this as part of its virtualization of one or more Non-secure guest operating systems.

The MMU-500 can cache the result of a translation table lookup in a *Translation Lookaside Buffer* (TLB) that means the MMU-500 also supports TLB maintenance operations.

For more information about:

- The supported architectural features of the MMU-500, see the *ARM® System Memory Management Architecture Specification*.
- Address translation, including the translation table formats and TLB maintenance operations, see:
  - The *ARM® Architecture Reference Manual, ARMv7-A and ARMv-7 R edition*.
  - The *ARM® Architecture Reference Manual, ARMv8, for ARMv8-A architecture profile*.

The MMU-500 has the following key components:

**Translation Buffer Unit (TBU)**

The TBU contains a TLB that caches page tables. The MMU-500 implements a TBU for each connected master, and the TBU is designed, so that it is local to the master.

**Translation Control Unit (TCU)**

Controls and manages the address translations. The MMU-500 implements a single TCU.

**Interconnect**      Connects multiple TBUs to the TCU.

Figure 1-1 on page 1-4 shows the MMU-500 block diagram.

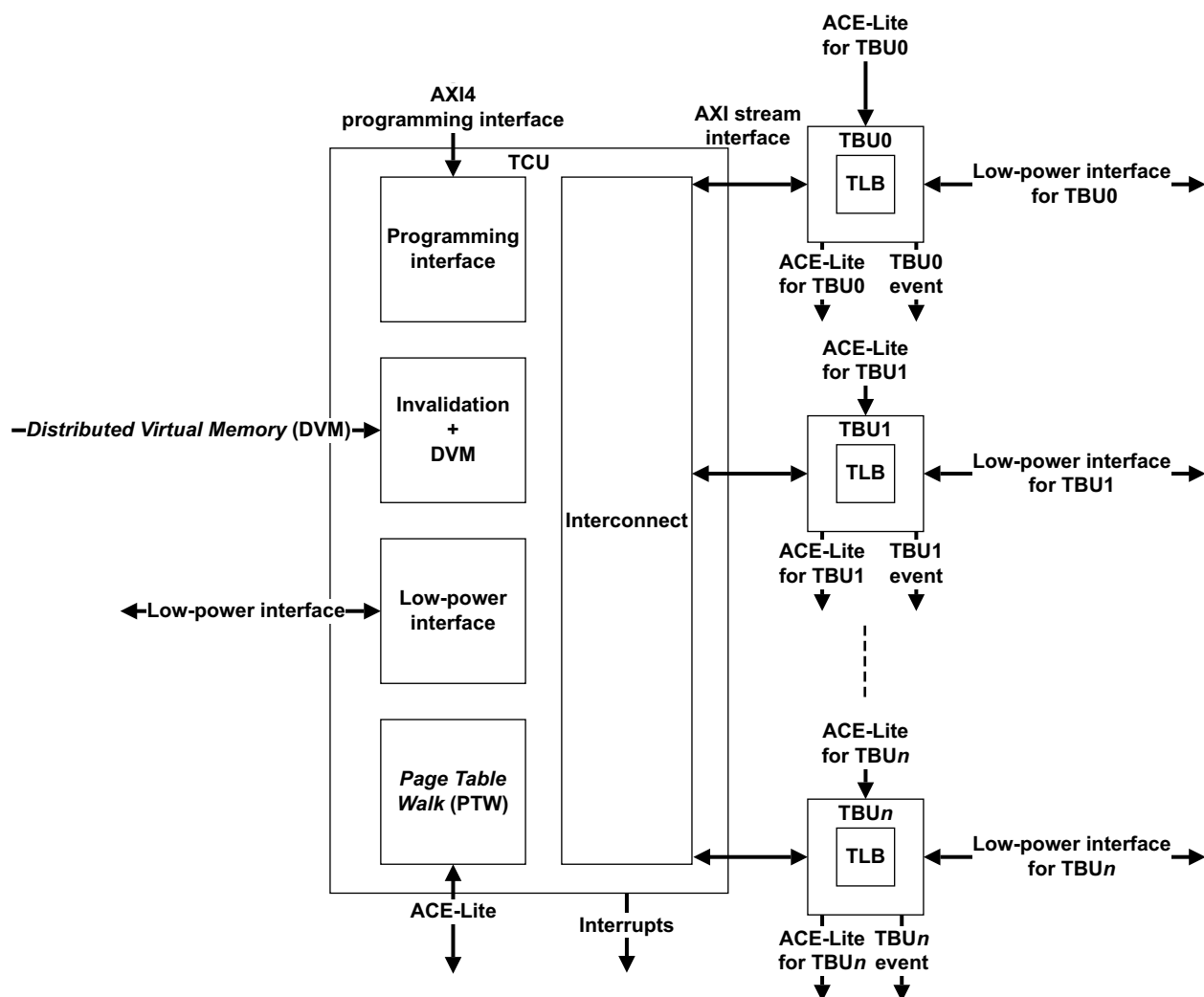


Figure 1-1 MMU-500 block diagram

For more information about logical processing steps, interfaces, and operational features, see [Chapter 2 Functional description](#).

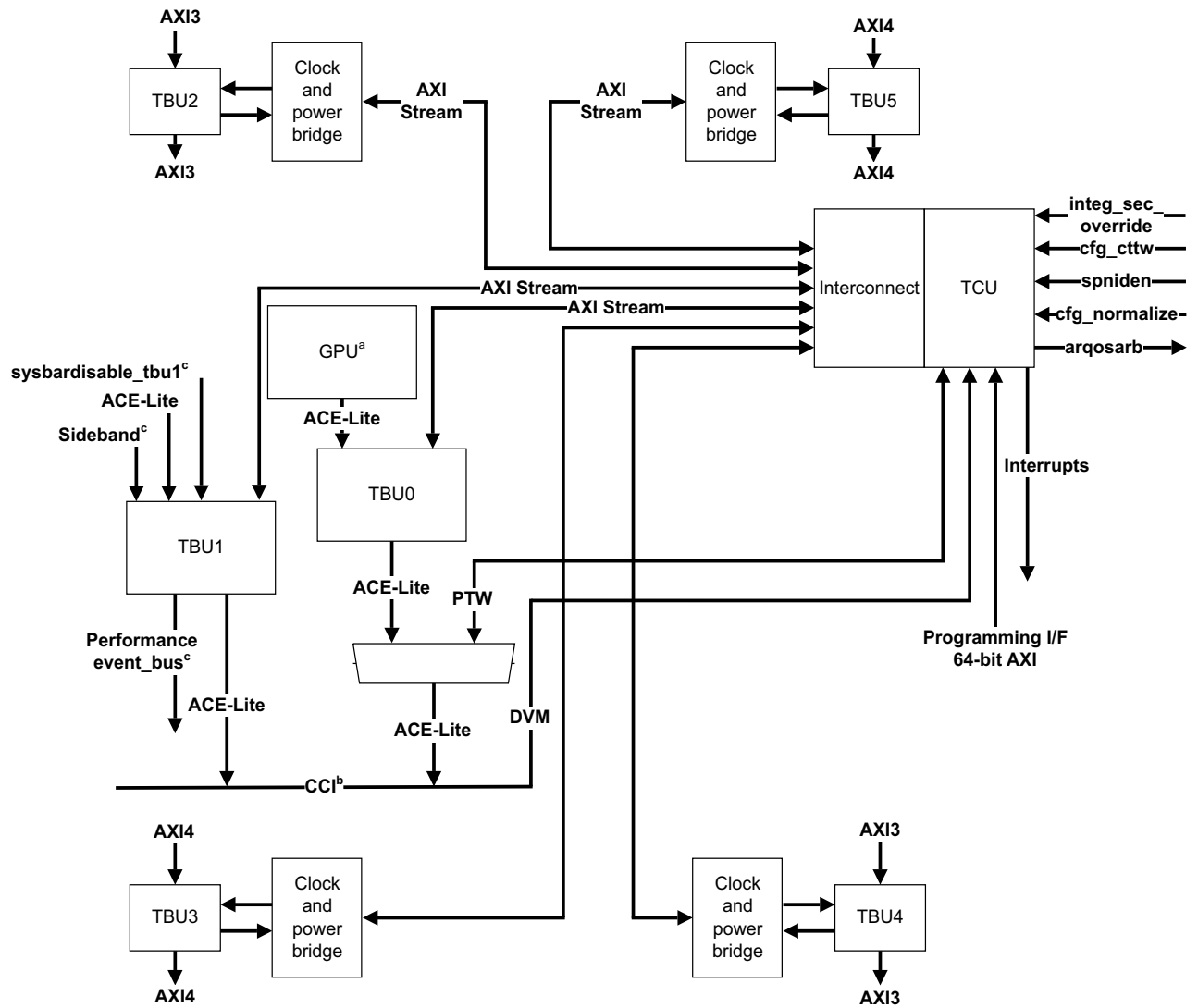
The following are example masters for the MMU-500:

- *Graphics Processor Unit (GPU)*.
- Video engines.
- *Direct Memory Access (DMA) controllers*.
- *Color LCD (CLCD) controllers*.
- Network controllers.

### 1.1.1 MMU-500 example system

[Figure 1-2 on page 1-5](#) shows the MMU-500 in an example ARM processor and *CoreLink Cache Coherent Interconnect-400 (CCI-400)* system, performing address translation functions for multiple masters including a GPU.

In the example system, transactions sent by the GPU master are received by the TBU on its slave interface to search for a TLB hit. On a miss, the TBU interacts with the TCU through its AXI stream interface, and initiates a page table walk. On receiving the page table entry or a TLB hit, the TBU then forwards the transaction to its master interface after the pending translation based on the page entry.



a. GPU is an example master for the MMU-500.

b. CCI-400 is not a part of the MMU-500.

c. The `sysbardonisable_<tbyname>` signals, performance event bus, and other sideband signals are present on all TBUs. These are shown on only one TBU for convenience.

**Figure 1-2 MMU-500 in system context**

**Note**

If an AXI3 or AXI4 interface is connected to an ACE-Lite port, then the unused ACE-Lite signals must be tied off to the values shown in [Table 2-2 on page 2-21](#).

## 1.2 Compliance

This TRM complements architecture reference manuals, architecture specifications, protocol specifications, and relevant external standards. It does not duplicate information from these sources.

### ARM SMMU architecture

The MMU-500 implements the ARM SMMU architecture v2.

See the *ARM® System Memory Management Unit Architecture Specification*.

### ARMv7 and v8 architecture

The MMU-500 supports the ARMv7 and ARMv8 address translation schemes. That is, it supports VMSAv7, VMSAv8-32, and VMSAv8-64, including the long-descriptor and short-descriptor translation table formats.

———— **Note** —————

The 16KB page granule is not supported in the MMU-500.

See the following documents:

- *ARM® Architecture Reference Manual, ARMv8, for ARMv8-A architecture profile.*
- *ARM® Architecture Reference Manual ARMv7-A and ARMv7-R edition.*

### Low-power interface support

For more information about the MMU-500 low-power interface support, see the following documents:

- *Low Power Interface Specification, ARM® Q-Channel and P-Channel Interfaces.*
- *ARM® AMBA® AXI and ACE Protocol Specification AXI3, AXI4, and AXI4-Lite ACE and ACE-Lite.*



## 1.3 Features

The MMU-500 provides the following features:

- Address virtualization to other masters in an ARM processor based system and other bus masters in the system.
- Support for the following translations:
  - Stage 1.
  - Stage 2.
  - Stage 1 followed by stage 2.
- Programmable *Quality of Service* (QoS).
- Distributed translation support for up to 32 TBUs.
- Translation support for 32-bit to 49-bit virtual address ranges and 48-bit physical address ranges.
- Multiple transaction contexts to apply to address translations for specific streams of transactions.
  - Supports up to 128 configurable contexts and programmable page size. The MMU-500 maps each context by using an input stream ID from the master device that requires address translation.
- Translation support for the following:
  - Stage 1 ARMv7 VMSA.
  - Stage 1 and Stage 2 ARMv8 AArch32.
  - Stage 1 and Stage 2 ARMv8 AArch64 with 4KB and 64KB granules.
  - Stage 1 followed by stage 2 translations.
- No page size restrictions. All page sizes are supported apart from the 16KB page granule defined by ARMv8 architecture.
- Arbitration of PTW requests from different TBUs by using the programmed QoS value.
- Page table walk cache for storing intermediate page table walk data.
- Page table entry cache in the TLB.
- Support for TLB *Hit-Under-Miss* (HUM).
- Configurable PTW depth using parallel PTWs.
- TLB invalidation through the AMBA 4 DVM signaling or register programming.
- Translation and protection check support including TrustZone® extension support.
- Fault handling, logging, and signaling that includes demand paging and support for the stall model.
- One AMBA slave interface that supports ACE-Lite per TBU for connecting the bus master device that requires address translations. See [AXI3 and AXI4 support on page 2-21](#).
- One AMBA master interface for master device transactions or PTWs that support ACE-Lite and DVM. See [AXI3 and AXI4 support on page 2-21](#).
- An AXI4 interface for programming.

- Page table entry cache in the TLB at two levels, namely:
  - Macro TLB.
  - Micro TLB.
- The TLB at two levels and the walk cache RAMs support single bit error detection and invalidation on error detection. The context disambiguation *Multi-FIFO* (MFIFO) RAM supports single bit error detection and correction.
- Debug and performance-monitoring events.
- The TCU core can run at half the clock speed of the TCU external interfaces.
- A prefetch buffer to prefetch the next 4K or 64K leaf page entry to reduce latency.
- An IPA2PA cache to speed up stage 1 followed by stage 2 translations.
- Support for 256 outstanding transactions for each TBU master interface.
- Support for priority elevation as part of the QoS scheme.

For more information, see the following documents:

- *ARM® AMBA® AXI and ACE Protocol Specification AXI3, AXI4, and AXI4-Lite ACE and ACE-Lite*
- *ARM® Architecture Reference Manual, ARMv8, for ARMv8-A architecture profile.*
- *ARM® Architecture Reference Manual ARMv7-A and ARMv7-R edition.*

## 1.4 Interfaces

The MMU-500 supports the following interfaces:

- TCU interfaces:
  - Programming interface.
  - Interrupts.
  - DVM interface.
  - Configurable PTW interface.
- TBU interfaces:
  - ACE-Lite interface.
  - Sideband interface. The sideband interface is classified into the stream interface and security state determination interface.
- Common interfaces:
  - Low-power interface and clock gating.
  - Performance interface.
  - Tie-off signal interface.

For more information, see [Interfaces on page 2-4](#).

## 1.5 Configurable options

The MMU-500 implementer can configure the following options:

- **TCU Options**
  - Number of configurable TBUs
  - Number of TBUs
  - Stream ID - width of the sideband signal
  - AXI ID signal width of the programming interface
  - PTW has a separate AXI port
  - PTW AXI data bus width
  - Only stage 2 translations
  - Number of contexts
  - Number of SMR groups
  - Walk caches depth
  - Macro TLB depth
  - PTW depth
  - TCU half clock
- **TBU<sub>n</sub> Mapping**
  - Instance u<sub>t</sub>bun
- **TBU CFG<sub>n</sub> Options**
  - Name
  - AXI ID signal width
  - AXI data bus width
  - Depth of the write buffer
  - TLB depth
  - TBU queue depth
  - Implement the TLB using a memory
  - Width of the AXI slave interface AWUSER signals
  - Width of the AXI slave interface WUSER signals
  - Width of the AXI slave interface BUSER signals
  - Width of the AXI slave interface ARUSER signals
  - Width of the AXI slave interface RUSER signals
  - TBU in a separate clock and power domain
  - Depth of the asynchronous fifo buffer on the TCU to the TBU channel
  - Serial data bus width
  - SSD index signal width
  - Number of stages for synchronization
  - Specify use of SSDIndex0-7
  - Specify SSDIndex0-7
- **TBU CFG<sub>n</sub> Timing**
  - AW channel slave interface registering options
  - W channel slave interface registering options
  - B channel slave interface registering options
  - AR channel slave interface registering options
  - R channel slave interface registering options
  - TBU-TCU channel pre-bridge register slice 1 options
  - TBU-TCU channel pre-bridge register slice 2 options
  - TBU-TCU channel post-bridge register slice 1 options

- TBU-TCU channel post-bridge register slice 2 options
- TCU-TBU channel pre-bridge register slice 1 options
- TCU-TBU channel pre-bridge register slice 2 options
- TCU-TBU channel post-bridge register slice 1 options
- TCU-TBU channel post-bridge register slice 2 options

### 1.5.1 Output ID width

The following equation defines the output ID width of all the TBUs, other than TBU0 in multiplexed configurations:

- TBU output width = Incoming AXI ID width + 1.

———— **Note** —————

The extra bit is required to identify barrier transactions generated by the TBU.

If the TCU has separate AXI interfaces, then:

- TCU Output ID width = TCUIDW + 1.

Where

—  $TCUIDW = \log_2(\text{Nummax\_of\_parallel\_PTW})$ .

— Nummax\_of\_parallel\_PTW is the number of parallel PTW queues adjusted to the smallest power of two that is greater than this number, if the number is not already a power of 2.

———— **Note** —————

The extra bit is required to identify the DVM complete transaction.

If the AXI interface between TBU0 and the TCU is multiplexed, the output ID width is based on:

- The number of parallel PTWs supported in the TCU.
- The input AXI ID width in TBU0.

The output AXI ID width follows the following rules:

- When the TBU ID width is in the range 0-TCUIDW, the output width is TCUIDW + 2.
- For TBUIDW > TCUIDW, the output width is TBUIDW + 1.

The value driven on the AXI ID signal is:

- The incoming ID is padded with all 0s in the most significant bits, when passing through the incoming transaction on the TBU.
- All 1s when the TBU generates a synchronous transaction.
- 0b10 followed by 0s until TCUIDW when the TCU generates a PTW transaction. The TCU drives the ID in the range (TCUIDW-1) to 0.
- 0b110 followed by 0s when the TCU generates a synchronous complete transaction.

## 1.6 Product documentation and design flow

This section describes the MMU-500 books and how they relate to the design flow.

For more information about the books described in this section, see [Additional reading on page viii](#).

For information on the relevant architectural standards and protocols, see [Compliance on page 1-6](#).

### 1.6.1 Documentation

The MMU-500 documentation is as follows:

#### Technical Reference Manual

The *Technical Reference Manual (TRM)* describes the functionality and the effects of functional options on the behavior of the MMU-500. It is required at all stages of the design flow. The choices made in the design flow can mean that some behavior described in the TRM is not relevant. If you are programming the MMU-500, then contact:

- The implementer to determine:
  - The build configuration of the implementation.
  - What integration, if any, was performed before implementing the MMU-500.
- The integrator to determine the pin configuration of the device that you are using.

#### Implementation Guide

The *Implementation Guide (IG)* describes:

- The available build configuration options and related issues in selecting them.
- How to configure the RTL with the build configuration options.
- The processes to sign off the configured design.

The ARM product deliverables include reference scripts and information about using them to implement your design.

The IG is a confidential book that is only available to licensees.

#### Integration Manual

The *Integration Manual (IM)* describes how to integrate the MMU-500 into a SoC. It describes the pins that the integrator must tie off to configure the macrocell for the required integration. Some of the integration is affected by the configuration options used when implementing the MMU-500.

The IM is a confidential book that is only available to licensees.

#### User Guide Supplement

This supplement describes how to use AMBA Designer to build and configure the MMU-500.

The User Guide Supplement is a confidential book that is only available to licensees.

## **Technical Reference Manual Supplement**

This supplement describes how to initialize the MMU-500, and how the MMU-500 generates final memory attributes.

The TRM Supplement is a confidential book that is only available to licensees.

## 1.7 Test features

The MMU-500 includes clock gating circuitry that you can use to enable the clock during MMU-500 testing.

The *Design for Test* (DFT) port, **dftelkenable**, allows bypassing of architectural clock gates during a DFT shift.

You can use the DFT port, **dftmcp hold**, to bypass a clock divider, when you select the half clock mode.



## 1.8 Product revisions

This section describes the differences in functionality between product revisions of the MMU-500:

<b>r0p0</b>	First release.
<b>r0p0 - r1p0</b>	r1p0 delivers: <ul style="list-style-type: none"> <li>• 16-deep TBU queue support.</li> <li>• 32-deep write buffer support.</li> <li>• Support for half-clock configuration. The TCU core runs at half the speed of the I/O clock, permitting the synchronous interfaces to run at a higher clock speed. The clock division is handled internally by the TCU.</li> </ul>
<b>r1p0 - r2p0</b>	r2p0 delivers: <ul style="list-style-type: none"> <li>• Ability to configure the StreamID width as 15 bits.</li> <li>• Support for up to 256 outstanding transactions for read and write channels on the TBU master interface.</li> </ul>
<b>r2p0 - r2p1</b>	r2p1 delivers: <ul style="list-style-type: none"> <li>• Support for normalization.</li> </ul>
<b>r2p1 - r2p2</b>	r2p2 delivers: <ul style="list-style-type: none"> <li>• No technical updates.</li> </ul>
<b>r2p2 - r2p4</b>	r2p4 delivers: <ul style="list-style-type: none"> <li>• Change to behavior to prevent cases where a Sync complete transaction fails to generate when a stalled transaction exists.</li> <li>• Change to behavior to prevent starvation of entries in the PTW queue when the queue is full.</li> </ul>

# Chapter 2

## Functional description

This chapter describes the functional operation of the MMU-500. It contains the following sections:

- *About the functions* on page 2-2.
- *Interfaces* on page 2-4.
- *Operation* on page 2-12.
- *Cache structures of the MMU-500* on page 2-19.
- *Constraints and limitations of use* on page 2-21.

## 2.1 About the functions

The TBU and TCU are the major functional blocks of the MMU-500. The TBU caches frequently used address ranges and the TCU performs the page table walk.

Figure 2-1 shows the block diagram for the MMU-500.

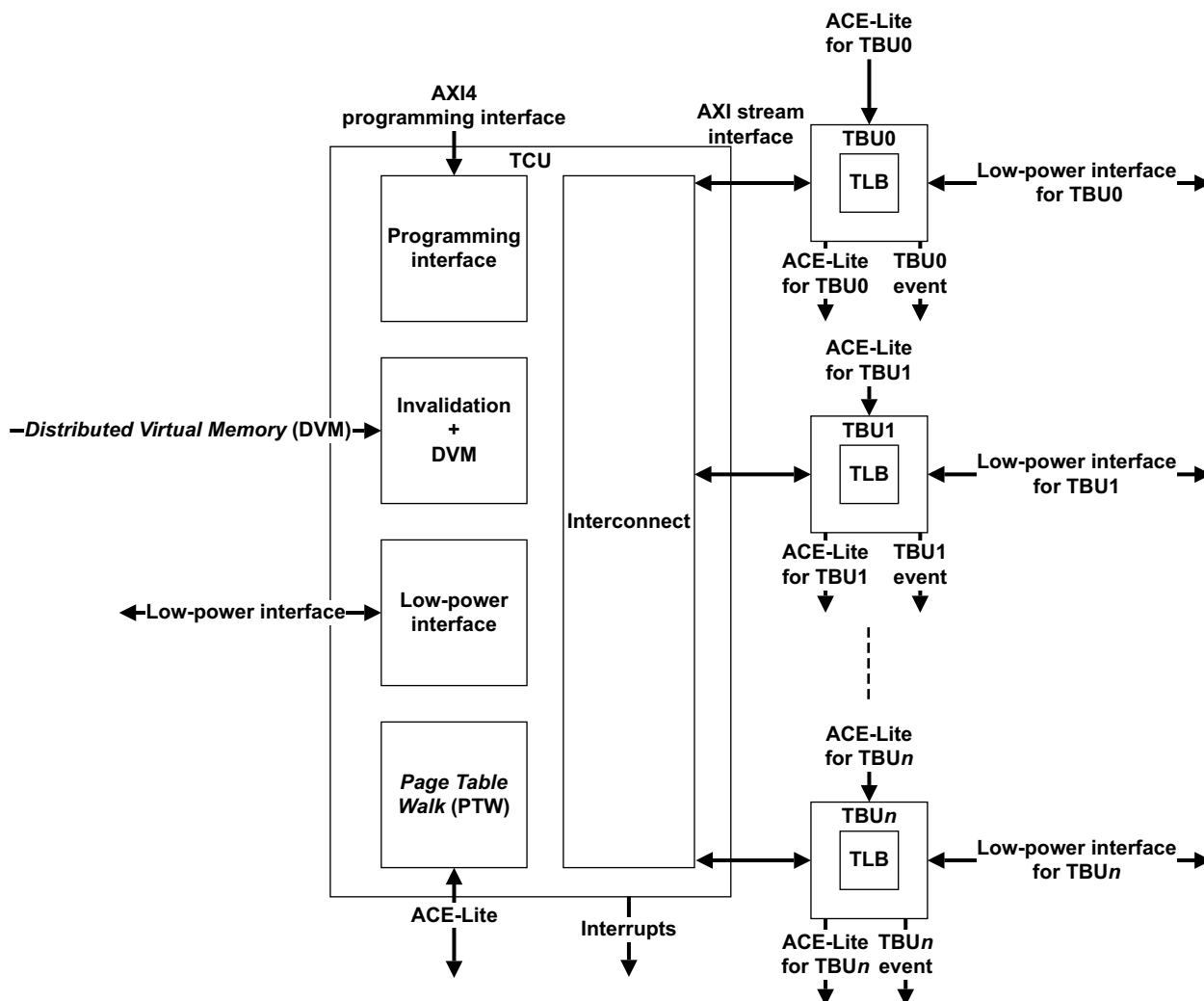


Figure 2-1 MMU-500 block diagram

The MMU-500 applies the following logical processing steps to every transaction:

1. Determines the security state of the device that originates the transaction. The security attribute presented on **AWPROT[1]** and **ARPROT[1]** signals is different from the security state of the device. Identifying the security state of the device is called security state determination.
2. Maps an incoming transaction to one of the contexts using an incoming StreamID.
3. Caches frequently used address ranges using the TLB. The best-case hit latency of this caching is two clocks when the TBU address slave register slices are not implemented. The best-case latency is three clocks when the TBU address slave register slices are specified.

4. Performs the main memory PTW automatically on an address miss.
  - The MMU-500 shares the page table formats with the processor as specified in the *Large Physical Address Extension (LPAE)* for maximum efficiency.  
For more information on LPAE addresses, see the following documents:
    - *ARM® Architecture Reference Manual ARMv7-A and ARMv7-R edition.*
    - *ARM® Architecture Reference Manual, ARMv8, for ARMv8-A architecture profile.*
5. Applies the memory attributes and translates the incoming address.
6. Applies the required fault handling for every transaction.
7. Performs debug and performance monitoring through programmable performance counters and reports statistics, for example, TLB refills or number of read or write accesses.

## 2.2 Interfaces

Figure 2-2 shows the MMU-500 interfaces.

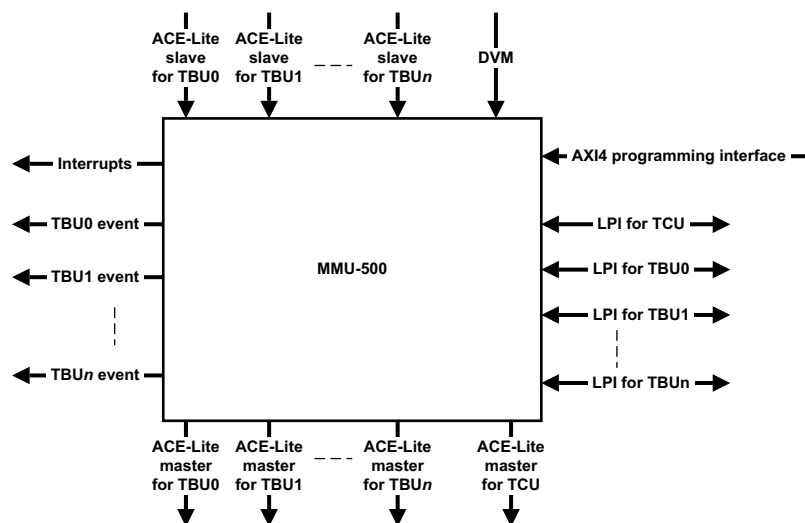


Figure 2-2 Interfaces of the MMU-500

### Note

If an AXI3 interface is connected to an ACE-Lite port, then the unused ACE-Lite signals must be tied off to the values shown in [Table 2-2 on page 2-21](#).

The MMU-500 contains the following interfaces:

- [TCU interfaces](#).
- [TBU interfaces on page 2-6](#).
- [Common interfaces on page 2-8](#).

### 2.2.1 TCU interfaces

The MMU-500 supports the following TCU interfaces:

- [Programming interface](#).
- [Interrupts on page 2-5](#).
- [DVM interface on page 2-5](#).
- [PTW interface on page 2-6](#).

#### Programming interface

The MMU-500 requires a programming interface to permit the software to configure the controller and to initialize the memory devices. For information about using the 64-bit AXI4 programming interface, see [Modes of operation and execution on page 3-3](#).

The MMU-500 provides 32-bit address buses, **awaddr\_prog[31:0]** and **araddr\_prog[31:0]**, but it only uses bits that are dependent on the number of context selection as shown in [Table 2-1](#).

**Table 2-1 Bit dependency on number of context selection**

Number of context	Bits
1-8	[20:2]
9-16	[21:2]
17-32	[22:2]
33-64	[23:2]
65-128	[24:2]

The MMU-500 ignores bits[1:0], because the smallest accesses allowed to its internal registers are word accesses.

This interface operates at the same frequency as the TCU clock.

———— **Note** —————

If half-clock configuration is selected, the TCU core runs at half the speed compared to this interface.

## Interrupts

This interface provides global, per-context, and performance interrupts. See [Interrupt signals on page A-13](#).

## DVM interface

The AC channel of the ACE-Lite interface of the MMU-500 is connected to the CCI-driven AC channel or to the ACE-compatible slave interface that supports DVM messaging. ARM recommends that you use the DVM channel for TLB maintenance operations. If the system cannot access the DVM channel, the **acvalid** signal must be tied LOW, and the programming interface can be used for TLB maintenance operations.

When you configure the MMU-500 to provide a dedicated AXI channel to perform PTWs, the AC channel must be part of the PTW channel.

———— **Note** —————

If a dedicated channel is not configured, use the TBU0 AXI interface suffix, and ensure that it is connected to the TCU.

This interface supports the following:

### AC channel (address channel)

The 44-bit wide AC channel is connected to the TCU.

———— **Note** —————

The CD channel (data channel) is not connected to the MMU-500.

## PTW interface

In the MMU-500, there can be a dedicated interface that provides access to memory for page table walks.

If the MMU-500 is configured to support a dedicated interface for PTWs, you must connect the read address and read data channels of the slave interface associated with the PTWs to the MMU-500 PTW channel. In this configuration, the PTW channel contains the `_ptw` suffix. For example, `araddr_ptw` and `acaddr_ptw`.

---

### Note

---

- The write interface on the dedicated PTW interface is not used.
  - If the MMU-500 is configured not to support a dedicated interface for PTWs, PTWs are performed on the ACE-Lite interface connected to TBU0.
- 

## 2.2.2 TBU interfaces

The MMU-500 supports the following TBU interfaces:

- *ACE-Lite interfaces.*  
The ACE-Lite interface supports the following interfaces:
  - *AXI slave interface.*
  - *AXI master interface on page 2-7.*
  - *TBU barrier support on page 2-7.*
- *Sideband interface on page 2-7.*  
The sideband interface supports the following interfaces:
  - *StreamID interface on page 2-7.*
  - *Security State Determination (SSD) interface on page 2-7.*

## ACE-Lite interfaces

The MMU-500 uses the ACE-Lite interfaces to receive and forward transactions after a translation.

An AXI3 or AXI4 bus can be connected to this interface with certain limitations as described in *AXI3 and AXI4 support on page 2-21*.

When an ACE-Lite interface is used, the MMU-500 generates barrier transactions and updates attributes of input barrier transactions. Barrier transactions guarantee the ordering and observation of transactions in a system.

For more information on barrier transactions, see the *ARM® AMBA® AXI and ACE Protocol Specification AXI3, AXI4, and AXI4-Lite ACE and ACE-Lite*.

### AXI slave interface

The MMU-500 supports only the ACE-Lite slave interface for every TBU. To connect to an AXI3 or AXI4 interface, you must:

- Tie the extra ACE-Lite signals to their inactive values.
- Tie the `sysbardisable_<tbuname>` signal HIGH.

The ACE-Lite slave interface, with `_s` suffix, drives the untranslated address to the TBU. You must connect pin-to-pin the read address, write address, read data, write data, and buffered write response channels of the ACE-Lite slave interface to an ACE-Lite master interface. In a system, the master interface can be the AXI bus infrastructure output or the output of a bridge that converts another bus protocol to AXI.

### **AXI master interface**

The MMU-500 supports only the ACE-Lite master interface for every TBU. You must tie the extra ACE-Lite signals to their inactive values and the `sysbardisable_<tbuname>` signal to HIGH to use AXI3 or AXI4 master interfaces.

The ACE-Lite master interface, with `_m` suffix, drives the translated address to the downstream slave. You must connect pin-to-pin the read address, write address, read data, write data, and buffered write response channels to the corresponding ACE-Lite slave interface.

If the MMU-500 is configured to support a dedicated interface for PTWs, you must connect the read address and read data channels of the slave interface associated with the PTWs to the MMU-500 PTW channel. In this configuration, the PTW channel contains the `_ptw` suffix. For example, `araddr_ptw` and `acaddr_ptw`.

### **TBU barrier support**

The TBU in the MMU-500 receives, passes on, and generates barriers of its own.

The MMU-500 generates a DSBSYS barrier on its own, after ensuring that all invalidation-related transactions are initiated when `sysbardisable_<tbuname>` is LOW, and on receiving one of the following:

- The **SYNC** message received on the programming interface.
- The DVM **SYNC** message.

For more information on **SYNC** and DVM **SYNC** messages, see the *ARM® AMBA® AXI and ACE Protocol Specification AXI3, AXI4, and AXI4-Lite ACE and ACE-Lite*.

### **Sideband interface**

The sideband interface provides associated information, such as data byte, transfer, packet, or frame-based information along with the ACE-Lite interface. See [Sideband signals on page A-13](#).

#### **Note**

The StreamID and security state determination are associated with the ACE-Lite slave interface to each TBU.

### **StreamID interface**

The StreamID interface is a sideband interface for the MMU-500 TBU slave interface. It provides additional information about the source of the incoming transaction. This information permits the transaction to be mapped to a particular context for translation.

The MMU-500 samples signals in the interface along with each valid address transaction.

See [StreamID on page 2-13](#).

### **Security State Determination (SSD) interface**

The SSD interface is a sideband interface for the MMU-500 TBU slave interface. It provides information about the security state of a transaction.



The MMU-500 samples signals in this interface along with each valid address transaction, in a similar manner to the *StreamID* on page 2-13.

See *Security determination* on page 2-14.

### 2.2.3 Common interfaces

The MMU-500 supports the following interfaces that are common to TBUs and the TCU:

- *Low-power interface for clock gating and power control.*
- *Performance interface on page 2-11.*
- *Tie-off signal interface on page 2-11.*

#### Low-power interface for clock gating and power control

The MMU-500 contains Q-channel low-power interfaces that enable:

- Power gating of the TBU module.
- Clock gating of the TBU module.
- Clock gating of the TCU module.

You can control the power-control interfaces at the system level by a system power-control module. Alternatively, if there is no system control block, you must tie the **qreqn\_\*** inputs HIGH, and can leave the outputs, **qacceptn\_\*** and **qactive\_\*** unconnected.

The MMU-500 never denies a powerdown request on any Q-channel, and so you must tie LOW the **qdeny\_\*** input to the system power controller.

The TCU module must be powered up before, or at the same time as, any TBU module is powered up. The TCU module must remain powered up while any TBU module is powered up.

#### ———— Note —————

The low-power interface signals are not synchronized. The system must provide the synchronous signals to the MMU-500.

The MMU-500 provides a Q-channel low-power interface for clock gating support. This interface is used as follows:

- The TBU and TCU have dedicated low-power Q-channel interfaces for clock gating:
  - **qreqn\_tbu\_<tbuname>\_cg**, **qacceptn\_tbu\_<tbuname>\_cg**, and **qactive\_tbu\_<tbuname>\_cg**.
  - **qreqn\_tcu**, **qacceptn\_tcu**, and **qactive\_tcu**.
- The TBU and the clock or power bridge each have a dedicated Q-channel interface for entering the powerdown state:
  - **qreqn\_tbu\_<tbuname>\_pd** and **qacceptn\_tbu\_<tbuname>\_pd**.
  - **qreqn\_pd\_slv\_br\_<tbuname>** and **qacceptn\_pd\_slv\_br\_<tbuname>**.
  - **qreqn\_pd\_mst\_br\_<tbuname>** and **qacceptn\_pd\_mst\_br\_<tbuname>**.
- The clock or power bridge contains the following **qactive** signals:
  - The **qactive\_br\_tbu\_<tbuname>** signal for handling the cross-boundary clock wakeup to wake up the TBU clock.
  - The **qactive\_br\_tcu\_<tbuname>** signal for handling the cross-boundary clock wakeup to wake up the TCU clock.

Figure 2-3 on page 2-9 shows the possible clock and power domains of the MMU-500.

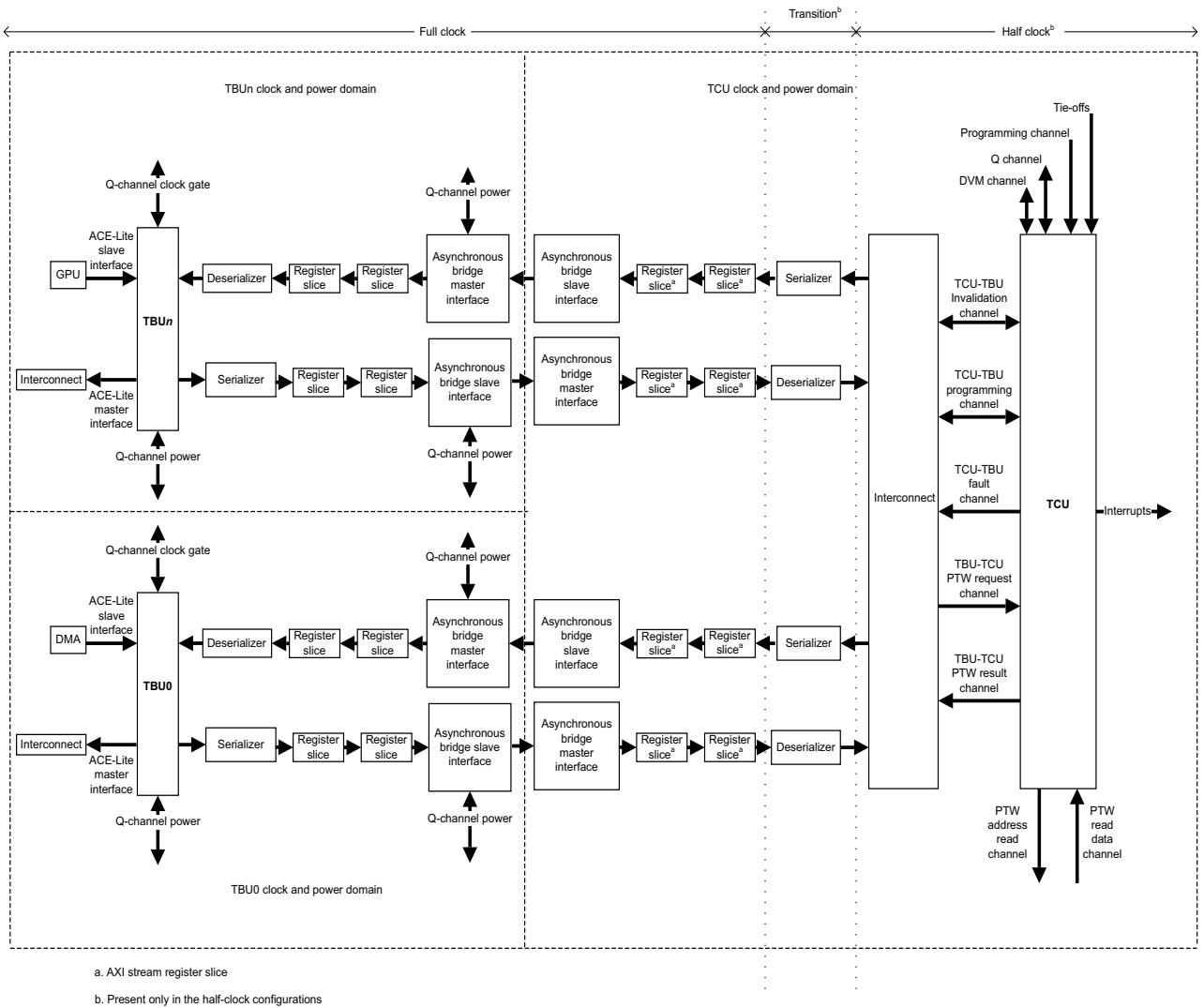
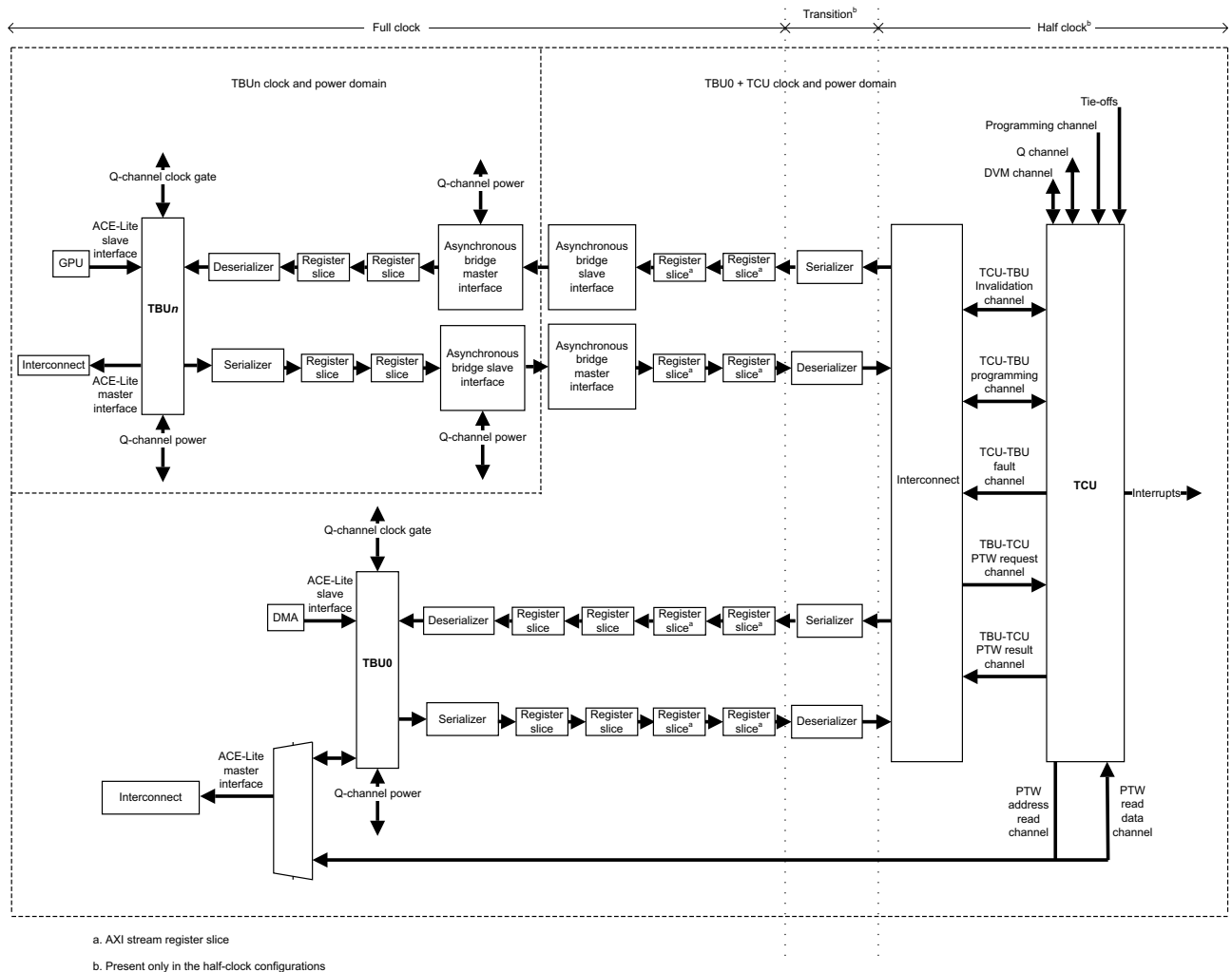


Figure 2-3 Clock and power domains of the MMU-500

Figure 2-4 on page 2-10 shows that TBU0 and TCU share a common clock or power domain. The TCU page table walk read channel shares the AXI interface with the TBU0.



**Figure 2-4 TBU0 and TCU sharing a common clock or power domain**

The full clock to half clock configuration feature shown in [Figure 2-3 on page 2-9](#) and [Figure 2-4](#) is also applicable to:

- Interrupts.
- Programming interfaces.
- PTW interfaces.

If you configure the TCU PTW interface to be shared with the TBU0 master interface by disabling the PTW has a separate AXI port configuration parameter, a multiplexer is instantiated in the design. You can use the multiplexer to share the ACE-Lite interface of TBU0 with the PTW interface generated by the TCU, provided you ensure that the TBU0 data width is the same as that of the TCU.

In this shared configuration, TBU and TCU still have two separate LPI interfaces for clock gating. Consequently, when TBU0 is clock gated, you can still see accesses coming from the TCU PTW interface and being output from the shared TBU0 master interface.

The MMU-500 supports the half clock feature as shown in [Figure 2-3 on page 2-9](#) and [Figure 2-4](#) depending on the specified configuration.

For more information about the Q-channel low-power interface, see the *Low Power Interface Specification, ARM® Q-Channel and P-Channel Interfaces*.

**Performance interface**

This interface contains the input signal **spiden** that enables the counting of events resulting from Secure translations, and contains an event output interface that provides updates from each TBU to the performance counters.

See [Performance event signals on page A-15](#) and [Authentication interface signal on page A-14](#).

**Tie-off signal interface**

This interface provides configuration information about AXI or ACE-Lite interface operations and page table walk coherency. See [Tie-off signals on page A-15](#).

## 2.3 Operation

The MMU-500 routes each translation through the following logical processing steps:

1. Security state determination.
2. Context determination.
3. Page table walk, if the translation is not cached in the TLB.
4. Protection checks.
5. Attribute generation or merging, depending on the programming.

You can configure the MMU-500 to bypass the transaction process for a transaction or to fault a transaction regardless of the translation state.

The primary function of the MMU-500 is to provide address and memory attribute translations, based on the address mapping and memory attribute information stored in translation tables.

The MMU-500 performs the following steps to achieve this:

1. Receives an address transaction, along with security and stream information.
2. Uses the security information received along with a transaction to determine additional processing steps for the transaction. The received security information is the security state of the originator of a transaction. The MMU-500 uses a Secure or Non-secure set of registers for additional processing of a transaction, depending on whether the security state of the originator is Secure or Non-secure, respectively. See [Security determination on page 2-14](#).
3. Uses the (S)CR0.CLIENTPD to determine whether stream matching is required. The transaction is bypassed if CLIENTPD is disabled.
4. Uses the stream information received along with the transaction to determine the translation mechanism to apply to the transaction. The translation mechanism can be a bypass, a stage 1 translation, a stage 2 translation, or a stage 1 followed by stage 2 translation. See the *ARM® System Memory Management Unit Architecture Specification*.
5. Adds the fault information to the Global Fault Status Register if a fault is identified in the translation process before a context is mapped. The MMU-500 adds the fault information to the Fault Status Register for the context bank, if a fault is identified after the context mapping.

A fault results in an interrupt when interrupt reporting is enabled. You can clear interrupts by clearing the Fault Status Register.

———— **Note** ————

The MMU-500 does not support configuration errors. It treats the CAF bit in the Global Fault Status Register as RAZ.

See the *ARM® System Memory Management Unit Architecture Specification*.

The MMU-500 supports both little and big endian translation tables. You can program endianness in the SMMU\_CBN\_SCTLR register. See the *ARM® Architecture Reference Manual ARMv7-A and ARMv7-R edition*.

For information about initialization and configuration, see [Additional reading on page viii](#).

This section describes how the *ARM® CoreLink™ MMU-500 System Memory Management Unit* operates. It contains the following subsections:

- [StreamID on page 2-13](#).
- [Security determination on page 2-14](#).

- [Hit-Under-Miss on page 2-16.](#)
- [Fault handling on page 2-17.](#)
- [Implementation-defined operational features on page 2-17.](#)

### 2.3.1 StreamID

A StreamID maps the incoming transaction to a context by using the stream mapping table. The characteristics of the StreamID are as follows:

- The width of the StreamID is selected during the MMU-500 configuration.
- You must specify the StreamID on a dedicated AXI sideband signal. Select the StreamID - width of the sideband signal parameter value from the range 1-10 bits or 15 bits. Dedicated sideband signals are used for read and write transactions.

For more information about StreamID signals, see [Sideband signals on page A-13.](#)

#### When the StreamID is configured as 1-10 bits

The StreamID width in the TCU is a constant 15 bits. The MMU-500 zero-extends each TBU StreamID to form a 10-bit field that it appends to the 5-bit TBU ID field, making the StreamID the required 15 bits wide by the time it reaches the TCU.

#### When the StreamID presented to each TBU is not unique

You must ensure that a unique ID is presented to the TCU, by appending the StreamID to the 5-bit TBU ID field as shown in [Figure 2-5.](#)

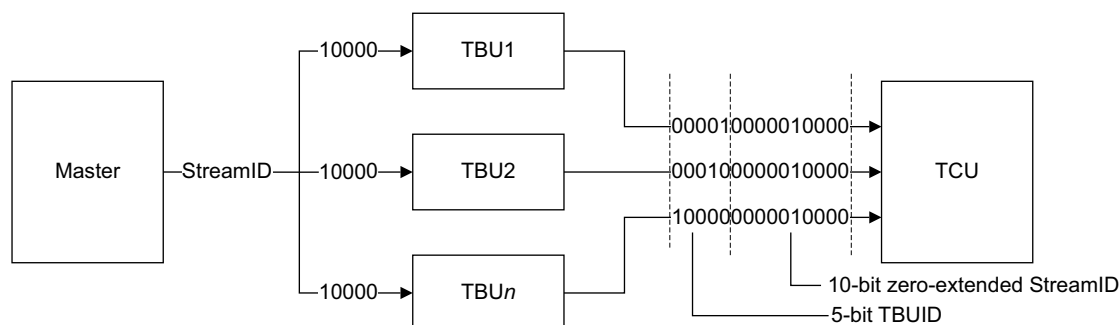


Figure 2-5 StreamID is not unique

#### When the StreamID presented to each TBU is unique

If the StreamID presented to each TBU is already unique, and the TBU ID addition is not required, then you can use the SMR to mask the TBU ID if required, as shown in [Figure 2-6 on page 2-14.](#)

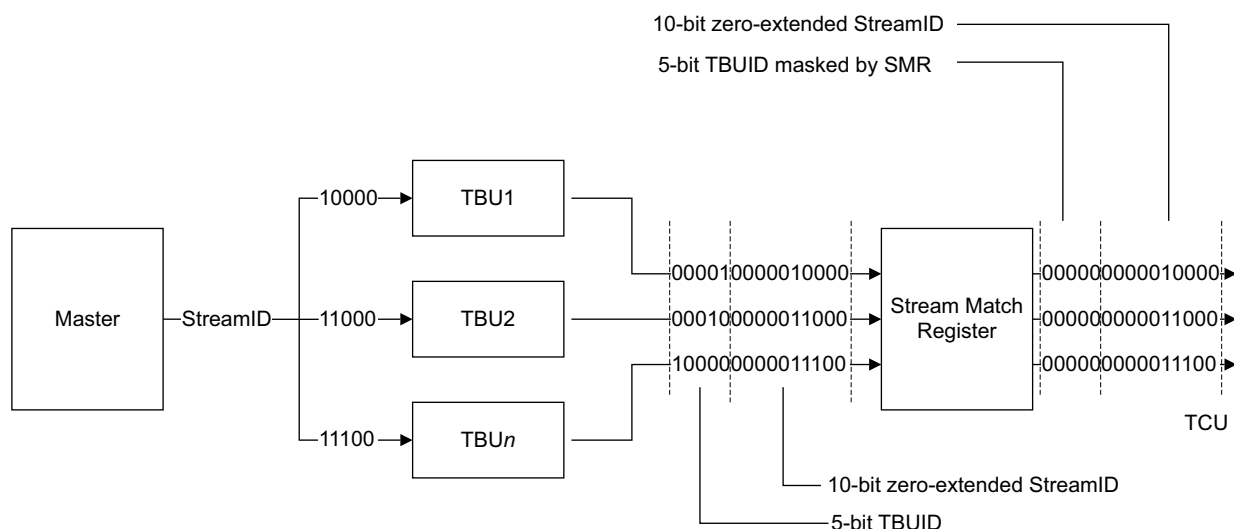


Figure 2-6 StreamID is unique

### When the StreamID is configured as 15 bits

The StreamID widths in the TBU and the TCU are both 15 bits, meaning that the TBU ID is not appended.

For more information on StreamID-to-context mapping, see the *ARM® System Memory Management Unit Architecture Specification*.

## 2.3.2 Security determination

The MMU-500 determines the Secure ownership of a transaction in one of the following ways:

- Assigns the Non-secure state to an incoming sideband signal along with a transaction:
  - For write accesses, the Non-secure state is the write sideband signal for security.
 

**Writes** The security state is taken from **wsb\_ns\_<tbuname>\_s**. The value of the SSD index can be:

    - 0** Indicates Secure access.
    - 1** Indicates Non-secure access.
  - For read accesses, the Non-secure state is the read sideband signal for security.
 

**Reads** The security state is taken from **rsb\_ns\_<tbuname>\_s**. The value of the SSD index can be:

    - 0** Indicates Secure access.
    - 1** Indicates Non-secure access.
- Determines the security state of a master by using the input signals, **wsb\_ssd\_<tbuname>\_s** and **rsb\_ssd\_<tbuname>\_s**. These signals form an SSD index into the SSD table. The entry in the SSD table determines whether the master that initiated the transaction is Secure or Non-secure. For more information about SSD signals, see [Sideband signals on page A-13](#).
  - You can configure the width of the SSD index in the range 0-10 bits. The MMU-500 uses a separate SSD index for each TBU.

- You can configure the number of programmable entries in the SSD table in the range 1- (Number of TBU \* 8). The security state determination address space supports 15-bit wide SSD indices. This space is equally divided among 32 TBUs starting with TBU0 from the address 0x0 of the address space. Each TBU contains 1024 entries.
- You can program the security state of the SSD table entries at runtime, or specify the non-programmable and fixed SSD table entries at configuration time.

After the SSD index is determined, the SSD table contains bits from 0 to  $2^{\text{SSD index signal width}-1}$ . You must determine the status of the bits as follows:

An SSD index can be programmable or non-programmable, and can be in the Secure or Non-secure state. By default, an SSD index is in the non-programmable Non-secure state.

#### List of non-programmable indices

For these indices, the security state of the master is defined, and does not change.

You must specify the indices of the masters whose security states are always Secure.

#### List of programmable indices

You can program the security state of the programmable indices.

You must determine the default state of each master whose security state is programmable.

#### ———— Note —————

An entry must not be duplicated in more than one list.

You must specify at least one programmable or fixed Non-secure entry for every configuration.

The number of indices is determined by the configured `SSD index signal width`. For example, if the `SSD index signal width` is 6 bits, there are 64 indices in the range 0-63. You must program the indices to be one of:

- Programmable Secure.
- Programmable Non-secure.
- Non-programmable Secure.

The unprogrammed indices default to non-programmable Non-secure.

The MMU-500 supports Secure debug TLB accesses that can access Secure and Non-secure TLBs.

The SSD table has a maximum of 32Kb space that is divided into 32 parts, with 1Kb assigned to each TBU. For example, the TBU0 space is from 0-1Kb, the TBU1 space is from 1-2Kb, and the TBU2 space is from 2-3Kb. The SSD index that is generated at each TBU, and is a maximum of 10 bits, is indexed into the 1Kb space allocated to the TBU. You must program the SSD table using this information.

#### ———— Note —————

The security determination descriptions are valid when the `integ_sec_override` signal is set to zero.



When the `integ_sec_override` signal is set to one, the following conditions are true:

- All implementation and integration registers can be accessed with a Non-secure access. This includes the following global space 0 registers:
  - *Auxiliary Configuration Register (ACR)*.
  - Debug registers.
- You cannot access any Secure registers.
- All transactions are treated as originating from a Non-secure master.

---

For more information on security determination and extensions, see the *ARM® System Memory Management Unit Architecture Specification*.

### 2.3.3 Hit-Under-Miss

*Hit-Under-Miss* (HUM) translates a TLB miss transaction and passes the transaction to a downstream slave if the translated TLB miss transaction results in a TLB hit. HUM allows responding to the master if there is a TLB hit for a subsequent transaction while the MMU-500 is performing a translation for a previous transaction that had a TLB miss. HUM characteristics for read and write transactions are as follows:

- If the transactions are read accesses, HUM is automatically enabled.
- If the transactions are write operations, HUM is enabled or disabled based on the write buffer depth. You can specify the write buffer depth during configuration.
  - If the depth of the write buffer is zero, HUM is automatically disabled.
  - If the depth of the write buffer is non-zero, a write hit transaction is translated only if the write data from a missed transaction can be accommodated in the write buffer.
- The number of outstanding missed transactions is determined by the depth of the write buffer. For example, if the depth of the buffer is four, then it can hold two transactions of length two. Each buffer entry holds only one beat of the transaction, even if it is of a narrow width.

[Example 2-1](#) shows a HUM condition.

#### Example 2-1 HUM condition

---

Consider that the write buffer depth is eight and there are two missed write transactions of lengths four and three. Both missed write transactions are stored in the write buffer during the PTWs for the transactions. If you perform another transaction before the missed write transactions are processed, the new transaction is passed through, if that access results in a TLB hit.

---

#### Note

If the write buffer is full with missed write transactions, HUM cannot occur.

---

### 2.3.4 Fault handling

The MMU-500 supports the terminate and stall fault handling modes. However, the MMU-500 does not support fault model overrides from the global space specified by using the *Global Stall Enable* (GSE) and *Stall Disable* (STALLD) bits of the Secure Configuration Register, SMMU\_CR0 or SMMU\_sCR0.

If the *Hit Under Previous Context Fault* (HUPCF) bit of the SMMU\_CbN\_SCTLR is not enabled, the MMU-500 applies the fault model across TBUs that share the same context.

For more information on fault handling. See the *ARM® System Memory Management Unit Architecture Specification*.

### 2.3.5 Implementation-defined operational features

The operational features of the MMU-500 are described in the following sections:

- [Outstanding transactions per TBU](#).
- [QoS arbitration](#).
- [Address width on page 2-18](#).
- [Programmable QoS support in the TCU on page 2-18](#).

#### Outstanding transactions per TBU

Outstanding transactions are defined as transactions for which:

- The physical address access is generated and accepted by the slave.
- Write or read responses are stalled.

For every TBU, the MMU-500 supports 256 outstanding transactions each for write and read accesses.

The MMU-500 generates a PTW when accesses from the master result in a TLB miss. However, based on the configuration, the MMU-500 supports either 8 or 16 such parallel PTWs for a TBU. If more than 8 or 16 PTWs are pending, a TLB miss on a channel indicates that the MMU-500 cannot accept additional transactions on the write or read channels.

#### QoS arbitration

The PTWs are initiated by the TCU for multiple TBUs. Therefore, when there are multiple outstanding transactions in the TCU, priority is given to the TBU with the highest QoS. The MMU-500 reuses the programmed QoS value for PTWs.

The **arqosarb** signal, a sideband signal from the MMU-500 to the CCI, has the highest QoS value among all PTW read transactions in the TCU.

#### ————— Note —————

You can leave the unused output ports unconnected.

For address translations, the MMU-500 uses the programmed QoS value.

For individual prefetch accesses, the MMU-500 uses the QoS value of the hit transaction.

For transactions within the same QoS, the MMU-500 uses a first-come, first-served model.

**Address width**

The incoming address width is fixed at 49 bits, where A[48] specifies VA sub-ranges. You must tie all unused bits to zero. The output address width is 48 bits and the width of the AC address bus is 48 bits.

**Note**

The MMU-500 does not support peripherals whose address width is greater than 49 bits.

**Programmable QoS support in the TCU**

You can program the QoS value to be used for each TBU PTW in the TCU. See [TBU QoS registers on page 3-33](#).

## 2.4 Cache structures of the MMU-500

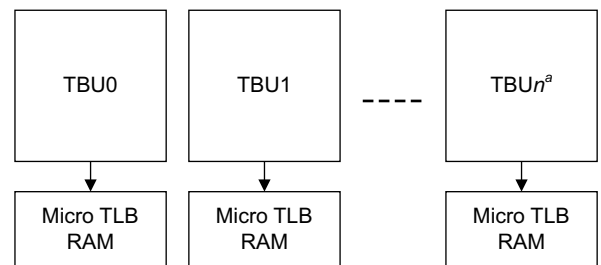
The cache structures of the MMU-500 are described in the following sections:

- [Micro TLB](#).
- [Macro TLB](#).
- [Prefetch buffer on page 2-20](#).
- [Page table walk cache on page 2-20](#).
- [IPA to PA cache on page 2-20](#).

### 2.4.1 Micro TLB

The micro TLB in the TBU caches the PTW results returned by the TCU. The TBU compares the PTW results of incoming transactions with the entries in the micro TLB before performing a TCU PTW. The micro TLB is fully associative and you can configure the depth of a micro TLB based on your requirements.

[Figure 2-7](#) shows the micro TLB cache structure.



a.  $n$  is number of RAMs configured.

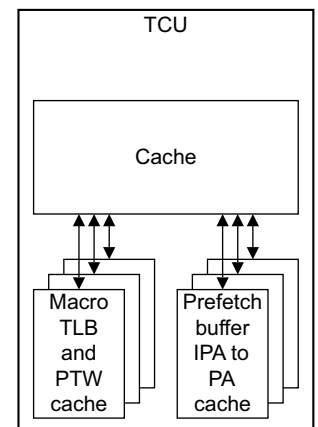
**Figure 2-7 Micro TLB cache**

See [Additional reading on page viii](#) for more information on the TBU configurability.

### 2.4.2 Macro TLB

The macro TLB caches PTW results in the TCU. You can configure the depth of the macro TLB based on your requirements.

[Figure 2-8](#) shows the TCU cache structure that consists of macro TLBs, prefetch buffers, IPA2PA cache, and PTW caches.



**Figure 2-8 TCU cache**

See [Additional reading on page viii](#) for more information on the TCU configurability.

### 2.4.3 Prefetch buffer

The MMU-500 fetches in advance 4KB and 64KB sized pages into the prefetch buffer. This reduces latency for future PTWs. You can configure the depth of the prefetch buffer.

The prefetch buffer is a single four-way set associative cache that you can enable or disable, depending on the context. The prefetch buffer shares RAMs with the macro TLB cache. See [Macro TLB on page 2-19](#).

### 2.4.4 Page table walk cache

The MMU-500 caches partial PTWs to reduce the number of PTWs on a TLB miss. The PTW cache exists in the TCU, and stage 1 and stage 2 level 2 PTWs are cached in the PTW cache.

### 2.4.5 IPA to PA cache

The MMU-500 implements an IPA to PA cache for stage 1 followed by stage 2 translations.

The IPA to PA cache is a single four-way set associative cache that you can enable or disable depending on the context. The IPA to PA cache shares RAMs with the PTW cache. See [Page table walk cache](#).

## 2.5 Constraints and limitations of use

This section describes the constraints of the MMU-500.

### 2.5.1 AXI3 and AXI4 support

The MMU-500 supports the AXI3 and AXI4 protocols when the **sysbardisable\_<tbuname>** input signal is tied HIGH. In such cases, the following AXI3 features are not supported:

#### Write data interleaving

Write data and write address ordering must be the same, otherwise data corruption can occur.

#### Locked transfer

The input interface on a TBU contains only one bit of the **AWLOCK** and **ARLOCK** signals to ensure compliance with the AXI4 specification. Therefore, locked transfers are not supported even when the **sysbardisable\_<tbuname>** signal is HIGH.

#### The WID signal generation

The MMU-500 does not generate the **WID** signals for the TBU write data channels because these signals are not required for AXI4 and ACE-Lite. You must add logic to generate the **WID** signal based on the **WID** signal values that are used for the address channel transfer, and use the values for each write data channel transfer for a transaction.

The MMU-500 does not support write data interleaving. Therefore, the MMU-500 generates write data transfers in the sequence that the write addresses are issued.

[Example 2-2](#) shows a scenario to generate the **WID** signal.

#### Example 2-2 Generating the WID signal

---

At the slave interface, you can connect the **WID** signal to the **WUSER** signal. At the master interface, you can generate **WID** by connecting **WID** to the same bit positions of the **WUSER** signal as at the slave interface.

See the *ARM® AMBA® AXI and ACE Protocol Specification AXI3, AXI4, and AXI4-Lite ACE and ACE-Lite* for more information about the **WID** and **WUSER** signals.

---

#### Unused ACE-Lite ports

If an AXI3 interface is connected to an ACE-Lite port, then the unused ACE-Lite signals must be tied off to the values shown in [Table 2-2](#).

**Table 2-2 Unused ACE-Lite signals**

Signal name	value
<b>axregion</b>	b00
<b>axqos</b>	b00
<b>axbar</b>	b00
<b>axdomain</b>	b11
<b>axsnoop</b>	b00

### Normalization of memory attributes

Most ARMv8 processors generate a normalized version of the memory attribute. See [SMMU\\_SACR register bit assignments on page 3-15](#).

By programming the SMMU\_SACR.NORMALIZE bit, you can enable the normalization support.

———— **Note** —————

You have to enable the normalization support only when the MMU-500 is instantiated in the ARMv8 system.

---

# Chapter 3

## Programmers model

The MMU-500 requires a programming interface to enable the software to configure the controller. You can also use the programming interface as a debug interface for accessing the TLB information.

This chapter describes the MMU-500 registers and provides information about programming the MMU-500. It contains the following sections:

- *About this programmers model on page 3-2.*
- *Modes of operation and execution on page 3-3.*
- *Memory model on page 3-4.*
- *Register summary on page 3-9.*
- *Global address space 0 on page 3-12.*
- *Global address space 1 on page 3-24.*
- *Translation context address space on page 3-25.*
- *Integration registers on page 3-26.*
- *Peripheral and component identification registers on page 3-36.*



### 3.1 About this programmers model

The following information applies to the MMU-500 registers:

- Registers are implemented according to the *ARM® System Memory Management Unit Architecture Specification* with the security extensions implemented in the MMU-500 as follows:
  - *Global space 0 registers summary on page 3-9.*
  - *Translation context registers summary on page 3-9.*
  - *Integration registers summary on page 3-10.*
  - *Peripheral and component identification summary on page 3-10.*
- Unless otherwise stated in the accompanying text:
  - Do not modify undefined register bits.
  - Ignore undefined register bits on reads.
  - All register values are UNKNOWN on reset unless otherwise stated.
- The access types of the MMU-500 registers are as follows:
 

<b>RAO</b>	Read-As-One.
<b>RAO/SBOP</b>	Read-As-One, Should-Be-One-or-Preserved on writes.
<b>RAO/WI</b>	Read-As-One, Writes-ignored.
<b>RAZ</b>	Read-As-Zero.
<b>RAZ/SBZP</b>	Read-As-Zero, Should-Be-Zero-or-Preserved on writes.
<b>RAZ/WI</b>	Read-As-Zero, Write-ignored.
<b>RO</b>	Read-only.
<b>RW</b>	Read and write.
<b>SBO</b>	Should-Be-One.
<b>SBOP</b>	Should-Be-One-or-Preserved.
<b>SBZ</b>	Should-Be-Zero.
<b>SBZP</b>	Should-Be-Zero-or-Preserved.
<b>UNK</b>	Unknown.
<b>WI</b>	Write-ignored.
<b>WNR</b>	Write-not-read.
<b>WO</b>	Write-only.

#### 3.1.1 Dynamic programming

The MMU-500 allows dynamic programming as specified by the architecture. See the *ARM® System Memory Management Unit Architecture Specification* for more information.

## 3.2 Modes of operation and execution

The MMU-500 provides a 64-bit AXI4 programming interface as per the *ARM® AMBA® AXI and ACE Protocol Specification AXI3, AXI4, and AXI4-Lite ACE and ACE-Lite*. The interface restrictions are as follows:

- A single combined acceptance depth is used for write and read channels.
- All 32-bit register write accesses must:
  - Be one beat long.
  - Be used for a word-aligned location.
  - Be 32 bits wide.
  - Have all relevant write strobes set.

If any of these conditions is not met, the MMU-500 ignores the transaction.

- All 64-bit register write accesses must satisfy one of the following conditions:
  - Be one beat long, 64 bits wide, used for a double-word aligned location, and have all write strobes set.
  - Be two beats long, 32 bits wide, used for a double-word aligned location, and have all relevant write strobes set.
  - Be one beat long, 32 bits wide, used for a word aligned location, and have all relevant write strobes set.

If any of these conditions is not met, the MMU-500 ignores the transaction.

- The AXI4 programming interface does not log errors or issue error responses. It treats invalid accesses as either RAZ or WI.
- The AXI4 programming interface ignores the **AxBURST**, **AxLOCK**, **AxCACHE**, **AxQOS**, **AxREGION**, and **AxUSER** signals.
- If a master connected to the MMU-500 generates a FIXED-type burst, and if the translated domain is a shared DOMAIN (Inner-shared or Outer-shared), then the MMU-500 generates an *Unsupported Upstream Transaction* (UUT) fault.
  - For single-beat transfers, a master can generate an INCR type burst to avoid this problem.
  - For multi-beat transfers, the MMU-500 cannot avoid this problem, and the system must generate the output DOMAIN value as Non-shared or System-shared.

### 3.3 Memory model

The address map of the programming interface is consistent with the *ARM® System Memory Management Unit Architecture Specification*.

In addition to the registers specified in the *ARM® System Memory Management Unit Architecture Specification*, the MMU-500 implements the following configuration, identification, debug, context, integration, performance, and control registers:

- Non-secure Auxiliary Configuration Register (SMMU\_ACR).
- Secure Auxiliary Configuration Register (SMMU\_sACR).
- TBU-TLB Debug Read Pointer register (SMMU\_DBGRPTRTBU).
- TBU-TLB Debug Read Data register (SMMU\_DBGRDATATBU).
- TCU-TLB Debug Read Pointer register (SMMU\_DBGRPTRTCU).
- TCU-TLB Debug Read Data register (SMMU\_DBGRDATATCU).
- Auxiliary Control Register (SMMU\_CB<sub>n</sub>\_ACTLR).
- Integration Mode Control register (SMMU\_ITCTRL).
- Integration Test Input register (SMMU\_ITIP).
- Integration Test Output Global register (SMMU\_ITOP\_GLBL).
- TBU Performance Interrupt register (SMMU\_ITOP\_PERF\_INDEX).
- Integration Test Output Context Interrupt registers (SMMU\_ITOP\_CXT<sub>n</sub>TO<sub>m</sub>\_RAM<sub>x</sub>):
  - Register for contexts 0-31 (SMMU\_ITOP\_CXT0TO31\_RAM0).
  - Register for contexts 32-63 (SMMU\_ITOP\_CXT32TO63\_RAM1).
  - Register for contexts 64-95 (SMMU\_ITOP\_CXT64TO95\_RAM2).
  - Register for contexts 96-127 (SMMU\_ITOP\_CXT96TO127\_RAM3).
- TBU QoS registers (SMMU\_TBUQOS<sub>x</sub>):
  - TBU QoS register 0 (SMMU\_TBUQOS0).
  - TBU QoS register 1 (SMMU\_TBUQOS1).
  - TBU QoS register 2 (SMMU\_TBUQOS2).
  - TBU QoS register 3 (SMMU\_TBUQOS3).
- Parity Error Checker Register (SMMU\_PER).
- TBU Power Status Register (SMMU\_TBU\_PWR\_STATUS).
- Component Identification registers (SMMU\_CIDR<sub>n</sub>):
  - Component Identification register 0 (SMMU\_CIDR0).
  - Component Identification register 1 (SMMU\_CIDR1).
  - Component Identification register 2 (SMMU\_CIDR2).
  - Component Identification register 3 (SMMU\_CIDR3).
- Peripheral Identification registers (SMMU\_PIDR<sub>n</sub>):
  - Peripheral Identification register 0 (SMMU\_PIDR0).
  - Peripheral Identification register 1 (SMMU\_PIDR1).
  - Peripheral Identification register 2 (SMMU\_PIDR2).
  - Peripheral Identification register 3 (SMMU\_PIDR3).
  - Peripheral Identification register 4 (SMMU\_PIDR4).
  - Peripheral Identification registers 5-7 (SMMU\_PIDR5-7).

The MMU-500 does not support the following Global Space Invalidation registers for stage 2 configurations:

- SMMU\_STLBIALLM.
- SMMU\_TLBIVMIDS1.
- SMMU\_TLBIVALH.
- SMMU\_STLBIVAM.

- SMMU\_STLBIVALM.
- SMMU\_TLBIVAH.
- SMMU\_TLBIALLH.
- SMMU\_STLBIALL.

———— **Note** ————

The SMMU\_SCR1.NSNUMCBO bit field is RO for only stage 2 translations configurations.

The MMU-500 is configured through a memory-mapped register frame. The total size of the MMU-500 address range depends on the number of implemented translation contexts.

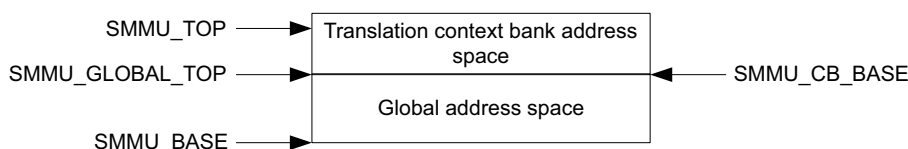
The MMU-500 address map consists of the following equally-sized regions:

**The global address space**

The global address space is located at the bottom of the MMU-500 address space, at SMMU\_BASE. See [Figure 3-1](#).

**The translation context bank address space**

The translation context bank address space is located above the top of the global address space, at SMMU\_TOP. See [Figure 3-1](#).



**Figure 3-1 MMU-500 address map**

You can determine the MMU-500 address range by reading the value of the following register fields:

- SMMU\_IDR1.PAGESIZE.

———— **Note** ————

The PAGESIZE refers to the size of the internal memory map, not the MMU-500 translation granule size.

- SMMU\_IDR1.NUMPAGENDXB.

See the *ARM® System Memory Management Unit Architecture Specification* for more information.

You can program the context page size as 4KB or 64KB using the SMMU\_SACR.PAGESIZE bit. This bit can be programmed only when the MMU-500 is inactive.

———— **Note** ————

The MMU-500 ignores non-word aligned write accesses to any of the registers.

**3.3.1 Reset values**

- [MMU-500 Identification registers on page 3-6.](#)
- [MMU-500 Performance Monitor registers on page 3-7.](#)

### MMU-500 Identification registers

Table 3-1 shows the register field reset values for the MMU-500 Identification registers.

**Table 3-1 Reset values of SMMU\_IDR registers, both Secure and Non-secure**

Register field	Bits <sup>a</sup>	Reset values	
<b>SMMU_IDR0</b>			
SMMU_IDR0.SES	[31]	0x1	
SMMU_IDR0.S1TS	[30]	0x0 0x1	Stage 1 translation is not supported. Stage 1 translation is supported.
SMMU_IDR0.S2TS	[29]	0x1	
SMMU_IDR0.NTS	[28]	0x0 0x1	Stage 1 followed by stage 2 translation is not supported. Stage 1 followed by stage 2 translation is supported.
SMMU_IDR0.SMS	[27]	0x1	
SMMU_IDR0.ATOSNS	[26]	0x1	
SMMU_IDR0.PTFS	[25:24]	0x0 0x1	Stage 1 followed by stage 2 translation is supported. V7L and V7S supported, and V7L format supported.
SMMU_IDR0.NUMIRPT[7:0]	[23:16]	0x01	
SMMU_IDR0.CTTW	[14]	0x0	
SMMU_IDR0.BTM	[13]	0x1	
SMMU_IDR0.NUMSIDB[3:0]	[12:9]	0xF	
SMMU_IDR0.NUMSMRG[7:0]	[7:0]	SMR DEPTH	
<b>SMMU_IDR1</b>			
SMMU_IDR1.PAGESIZE	[31]	0x0	
SMMU_IDR1.NUMPAGENDXB	[30:28]	The reset values for the following contexts are: <b>1-8 contexts</b> 0x2. <b>9-16 contexts</b> 0x3. <b>17-32 contexts</b> 0x4. <b>33-64 contexts</b> 0x5. <b>64-128 contexts</b> 0x6.	
SMMU_IDR1.NUMS2CB[7:0]	[23:16]	0x0	
SMMU_IDR1.SMCD	[15]	0x0	
SMMU_IDR1.SSDTP	[12]	The possible reset values for SMMU_IDR1.SSDTP (Secure) are: 0x0                    Number of SSD entries is zero. 0x1                    Number of SSD entries is not zero. The reset value for SMMU_IDR1.SSDTP (Non-secure) is 0x0.	
<b>Note</b>			
This bit is configuration-dependent. This bit can have one of the following reset values:			
<b>0</b>		When the SSD table is not configured.	
<b>1</b>		When the SSD table is configured.	

**Table 3-1 Reset values of SMMU\_IDR registers, both Secure and Non-secure (continued)**

Register field	Bits <sup>a</sup>	Reset values
SMMU_IDR1.NUMSSDNDB[3:0]	[11:8]	SMMU_sIDR1.NUMSSDNDB[3:0] (Secure) 0xF SMMU_IDR1.NUMSSDNDB[3:0] (Non-secure) 0x0
SMMU_IDR1.NUMCB	[7:0]	Number of contexts.
<b>SMMU_IDR2</b>		
Reserved	[31:15]	0x0
SMMU_IDR2.PTFSv8_64kB	[14]	0x1
SMMU_IDR2.PTFSv8_16kB	[13]	0x0
SMMU_IDR2.TFSv8_4kB	[12]	0x1
SMMU_IDR2.UBS	[11:8]	0x5
SMMU_IDR2.OAS	[7:4]	0x5
SMMU_IDR2.IAS	[3:0]	0x5
<b>SMMU_IDR7</b>		
SMMU_IDR7.MAJOR	[7:4]	0x2
SMMU_IDR7.MINOR	[3:0]	0x4

a. The reserved bits are not shown in [Table 3-1 on page 3-6](#). See the *ARM® System Memory Management Unit Architecture Specification* for more information.

### MMU-500 Performance Monitor registers

The reset value of the Performance Monitor registers is 0x0, except for the registers that [Table 3-2](#) shows. See the *ARM® System Memory Management Unit Architecture Specification* for more information.

**Table 3-2 Reset values of Performance Monitor Extension registers**

Register field	Bits <sup>a</sup>	Reset values
SMMU_PMCGCR.CGNC	[27:24]	0x4
SMMU_PMCEID0.EVENT	[18:16]	0x7
	[10:8]	0x7
	[1:0]	0x3
SMMU_PMAUTHSTATUS.SNI	[7]	0x1
SMMU_PMDEVTYPE.T	[7:4]	0x5
SMMU_PMDEVTYPE.C	[3:0]	0x6
SMMU_PMCFGR.NCG	[31:24]	Number of TBU - 1
SMMU_PMCFGR.UEN	[19]	0x0
SMMU_PMCFGR.SIDG	[18:17]	0x0

**Table 3-2 Reset values of Performance Monitor Extension registers (continued)**

Register field	Bits <sup>a</sup>	Reset values
SMMU_PMCFGR.EX	[16]	0x1
SMMU_PMCFGR.CCD	[15]	0x0
SMMU_PMCFGR.CC	[14]	0x0
SMMU_PMCFGR.SIZE	[13:8]	0x1F
SMMU_PMCFGR.N	[7:0]	(Number of TBU * 4) - 1
SMMU_PMCNTENSETx	[31:0]	0x0
SMMU_PMCNTENCLR <sub>x</sub>	[31:0]	0x0
SMMU_PMOVSETx	[31:0]	0x0
SMMU_PMOVCLR <sub>x</sub>	[31:0]	0x0

- a. The reserved bits are not shown in [Table 3-2 on page 3-7](#). See the *ARM® System Memory Management Unit Architecture Specification* for more information.

### 3.4 Register summary

This section describes the implemented MMU-500 registers in base offset order. The register map contains the following blocks:

- [Global address space 0 registers summary](#).
- [Translation context bank registers summary](#).
- [Integration registers summary on page 3-10](#).
- [Peripheral and component identification registers summary on page 3-10](#).

#### 3.4.1 Global address space 0 registers summary

[Table 3-3](#) shows the global space 0 registers in base offset order.

———— **Note** —————

The addresses that are not shown in [Table 3-3](#) are reserved.

**Table 3-3 Global space 0 registers summary**

Name	Type	S or NS <sup>a</sup>	Offset	Description	Notes
SMMU_ACR	RW	NS	0x00010	<a href="#">Auxiliary Configuration registers on page 3-12</a>	-
SMMU_sACR		S			Banked with security.
SMMU_DBGRPTRTBU	RW	S	0x00080	<a href="#">Debug registers on page 3-16</a>	-
SMMU_DBGRDATATBU	RO	S	0x00084		-
SMMU_DBGRPTRTCU	RW	S	0x00088		-
SMMU_DBGRDATATCU	RO	S	0x0008C		-

a. S stands for Secure and NS stands for Non-secure.

#### 3.4.2 Translation context bank registers summary

[Table 3-4](#) shows the context registers in base offset order.

**Table 3-4 Translation context registers summary**

Name	Type	S or NS <sup>a</sup>	Offset	Description	Notes
SMMU_CB <sub>n</sub> _ACTLR	RW	NS/S	0x004	<a href="#">Auxiliary Control registers on page 3-25</a>	-

a. S stands for Secure and NS stands for Non-secure.



### 3.4.3 Integration registers summary

Table 3-5 shows the integration registers in base offset order.

**Table 3-5 Integration registers summary**

Name	Type	S or NS	Offset	Description
SMMU_ITCTRL	RW	NS/S	0x2000	<i>Integration Mode Control Register on page 3-26</i>
SMMU_ITIP	RO	NS/S	0x2004	<i>Integration Test Input register on page 3-27</i>
SMMU_ITOP_GLBL	WO	NS/S	0x2008	<i>Integration Test Output Global register on page 3-28</i>
SMMU_ITOP_PERF_INDEX	WO	NS/S	0x200C	<i>TBU Performance Interrupt register on page 3-29</i>
SMMU_ITOP_CXTnTOm_RAMx	WO	NS/S		<i>Integration Test Output Context Interrupt registers on page 3-32</i>
• SMMU_ITOP_CXT0TO31_RAM0			0x2010	
• SMMU_ITOP_CXT32TO63_RAM1			0x2014	
• SMMU_ITOP_CXT64TO95_RAM2			0x2018	
• SMMU_ITOP_CXT96TO127_RAM3			0x201C	
SMMU_TBUQOSx	RW	NS/S		<i>TBU QoS registers on page 3-33</i>
• SMMU_TBUQOS0			0x2100	
• SMMU_TBUQOS1			0x2104	
• SMMU_TBUQOS2			0x2108	
• SMMU_TBUQOS3			0x210C	
SMMU_PER	RW	NS/S	0x2200	<i>Parity Error Checker Register on page 3-34</i>
SMMU_TBU_PWR_STATUS	RW	NS/S	0x2204	<i>TBU Power Status register on page 3-34</i>

### 3.4.4 Peripheral and component identification registers summary

Table 3-6 shows the peripheral and component identification registers in base offset order.

**Table 3-6 Peripheral and component identification summary**

Name	Type	S or NS	Offset	Description
SMMU_PIDR4	RO	NS/S	0x0FD0	<i>Peripheral Identification registers on page 3-36</i>
SMMU_PIDR5	RO	NS/S	0x0FD4	
SMMU_PIDR6	RO	NS/S	0x0FD8	
SMMU_PIDR7	RO	NS/S	0x0FDC	
SMMU_PIDR0	RO	NS/S	0x0FE0	
SMMU_PIDR1	RO	NS/S	0x0FE4	
SMMU_PIDR2	RO	NS/S	0x0FE8	
SMMU_PIDR3	RO	NS/S	0x0FEC	
SMMU_CIDR0	RO	NS/S	0x0FF0	<i>Component Identification registers on page 3-36</i>
SMMU_CIDR1	RO	NS/S	0x0FF4	
SMMU_CIDR2	RO	NS/S	0x0FF8	
SMMU_CIDR3	RO	NS/S	0x0FFC	

———— **Note** ————

The peripheral and component identification registers can be accessed through the SMMU\_GR0 register.

---

### 3.5 Global address space 0

The MMU-500 global address space 0 provides high-level control of the MMU-500 resources, and maps device transactions to translation context banks. This section provides information about the following registers:

- [Auxiliary Configuration registers](#).
- [Debug registers on page 3-16](#).

#### 3.5.1 Auxiliary Configuration registers

The SMMU\_ACR and SMMU\_sACR characteristics are:

- Purpose** The Auxiliary Configuration registers, SMMU\_ACR (Non-secure) and SMMU\_sACR (Secure), are defined as shown in [Table 3-7 on page 3-13](#) and [Table 3-8 on page 3-15](#) respectively.
- Configuration** Available in all MMU-500 configurations.
- Usage constraints** The S2WC2EN bit is Non-secure only. Other bits are banked with security.
- Attributes** See [Global address space 0 registers summary on page 3-9](#).

Figure 3-2 shows the bit assignments.

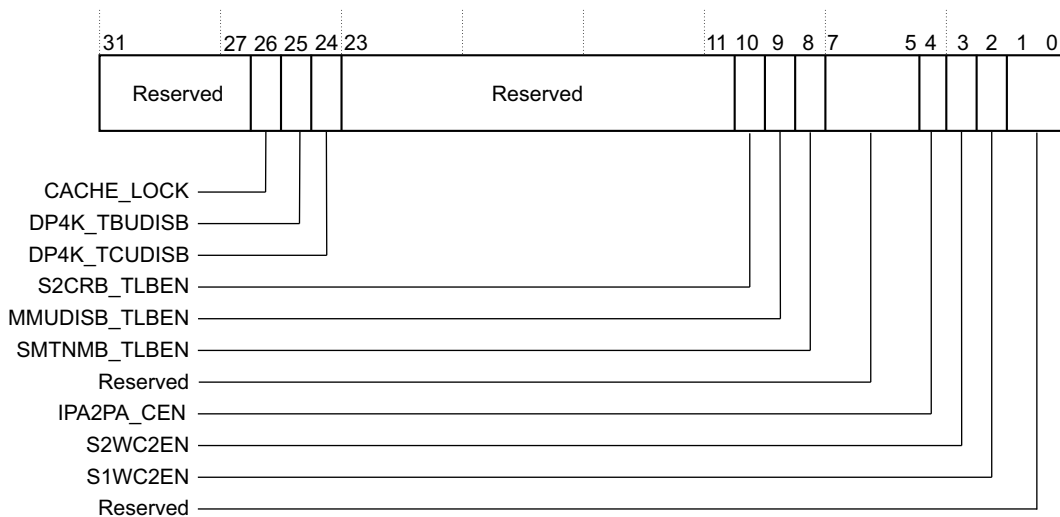


Figure 3-2 SMMU\_ACR register bit assignments

Table 3-7 shows the bit assignments.

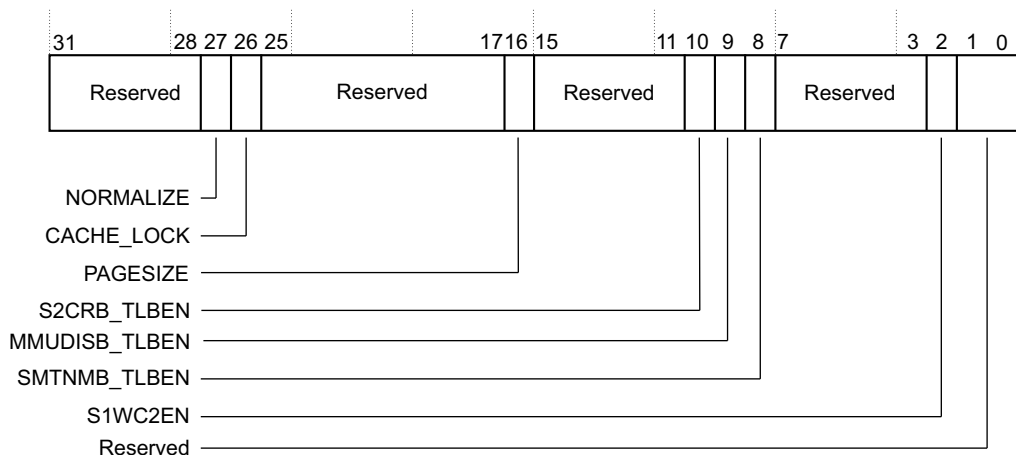
**Table 3-7 SMMU\_ACR register bit assignments**

Bits	Name	Reset value	Description
[31:27]	Reserved	-	Reserved.
[26]	CACHE_LOCK	0b1	Locks the write access to the SMMU_CBN_ACTLR. The SMMU_ACR.CACHE_LOCK bit can have one of the following values: 0b0 The SMMU_CBN_ACTLR in all Non-secure contexts is R/W. 0b1 The SMMU_CBN_ACTLR in all Non-secure contexts is RO.
[25]	DP4K_TBUDISB	0b0	4KB page size dependency check. Enables or disables the 4KB page size dependency check in the TBU. Transactions form a dependency on a transaction that is already performing the PTW. The preconditions are that they are within the same 4KB address space and have the same StreamID and security state as the transaction performing the PTW. This is the default behavior that you can change by programming the bits to not set the dependency. This results in extra latencies and power consumption, and is intended only for debug purposes. This bit resets to zero. When it is set to one, the 4KB dependency check in the TBU is disabled.
[24]	DP4K_TCUDISB	0b0	4KB page size dependency check. Enables or disables the 4KB page size dependency check in the TCU. This bit resets to zero. When it is set to one, the 4KB dependency check in the TCU is disabled.
[23:11]	Reserved	-	Reserved.
[10]	S2CRB_TLBEN	0b0	Stream-to-context register bypass TLB enable. This bit can have one of the following values: 0b0 Do not update the TLB with the stream-to-context register bypass transaction information. 0b1 Update the TLB with the stream-to-context register bypass transaction information.
<b>Note</b>			
For the S2CRB_TLBEN, MMUDISB_TLBEN, and SMTNMB_TLBEN bits, the bypass TLB enable bits ensure that the latency is minimal for additional transactions that must undergo the same bypass. However, this comes with the penalty of a TLB entry being occupied for the bypass entry that reduces the effective depth of the TLB available for caching translation operations.			
[9]	MMUDISB_TLBEN	0b0	MMU disable bypass TLB enable. The MMU-500 caches in the TLB the attribute information for transactions that have been allocated a context, but the SMMU_CBN_SCTLR.M bit is set to 0b0 for the context. This caching reduces the transaction time by six clock cycles, but can save much more, depending on how busy the MMU-500 is. This bit can have one of the following values: 0b0 Do not update the TLB with the MMU disable transaction information. 0b1 Update the TLB with the MMU disable transaction information.

**Table 3-7 SMMU\_ACR register bit assignments (continued)**

Bits	Name	Reset value	Description
[8]	SMTNMB_TLBEN	0b0	Stream match table no match TLB enable. This bit can have one of the following values: 0b0 Do not update the TLB with the stream match table no match TLB enable bypass transaction information. 0b1 Update the TLB with the stream match table no match TLB enable bypass transaction information.
[7:5]	Reserved	-	Reserved.
[4]	IPA2PA_CEN	0b1	IPA to PA cache enable. This bit can have one of the following values: 0b0 Disable the IPA to PA cache. 0b1 Enable the IPA to PA cache.
<b>Note</b>			
This bit is reserved when the Only stage 2 translations option is enabled.			
[3]	S2WC2EN	0b1	Stage 2 PTW cache 2 enable. The MMU-500 caches the level 2 PTWs in the stage 2 PTW cache 2. This bit can have one of the following values: 0b0 Disable the PTW cache 2. 0b1 Enable the PTW cache 2.
[2]	S1WC2EN	0b1	Stage 1 PTW cache 2 enable. The MMU-500 caches the level 2 PTW in the stage 1 PTW cache 2. This bit can have one of the following values: 0b0 Disable the PTW cache 2. 0b1 Enable the PTW cache 2.
[1:0]	Reserved	-	Reserved.

Figure 3-3 shows the bit assignments.



**Figure 3-3 SMMU\_sACR register bit assignments**

Table 3-8 shows the bit assignments.

**Table 3-8 SMMU\_sACR register bit assignments**

Bits	Name	Reset value	Description
[31:27]	Reserved	-	Reserved.
[27]	NORMALIZE	-a	<p>Enables normalization of memory attributes for the ARMv8 system.</p> <p>The SMMU_sACR.NORMALIZE bit can have one of the following values:</p> <p>0b0 Disables normalization.</p> <p>0b1 Enables normalization. When the SMMU_SACR.NORMALIZATION bit is set, any incoming attribute that is not set as Inner WriteBack Outer WriteBack normal memory is turned into Inner Non-Cacheable Outer Non-Cacheable system shared before sending downstream.</p>
<b>Note</b>			
<p>You must modify this bit only during the MMU-500 initialization. Otherwise, you must perform the following steps before reprogramming this bit:</p> <ol style="list-style-type: none"> <li>1. Apply the TLB invalidation followed by the synchronize TLB invalidate operation.</li> <li>2. Wait for the TLB maintenance operation to complete.</li> </ol>			
[26]	CACHE_LOCK	0b1	<p>Locks the write access to the SMMU_CbN_ACTLR.</p> <p>The SMMU_sACR .CACHE_LOCK bit can have one of the following values:</p> <p>0b0 The SMMU_CbN_ACTLR in all Secure contexts is R/W and Non-secure contexts follows SMMU_ACR.CACHE_LOCK.</p> <p>0b1 The SMMU_CbN_ACTLR in all contexts is RO.</p>
[25:17]	Reserved	-	Reserved.
[16]	PAGESIZE	0b0	<p>SMMU Page Size.</p> <p>An SMMU register map arranges state into a number of pages. Each page occupies, and is aligned to, a PAGESIZE space in the address map. Such organization permits a hypervisor to permit or deny access to system MMU state on a page-by-page basis.</p> <p>The SMMU architecture permits an implementation to support either 4KB or 64KB PAGESIZE options.</p> <p>This bit can have one of the following values:</p> <p>0b0 4KB.</p> <p>0b1 64KB.</p>
[15:11]	Reserved	-	Reserved.
[10]	S2CRB_TLBEN	0b0	<p>Stream to context register bypass TLB enable. This bit can have one of the following values:</p> <p>0b0 Do not update the TLB with the stream to context register bypass transaction information.</p> <p>0b1 Update the TLB with the stream to context register bypass transaction information.</p>

**Table 3-8 SMMU\_sACR register bit assignments (continued)**

Bits	Name	Reset value	Description
[9]	MMUDISB_TLBEN	0b0	MMU disable bypass TLB enable. The MMU-500 caches in the TLB the attribute information for transactions that have been allocated a context, but the SMMU_CB $n$ _SCTLR.M bit is set to 0b0 for the context. This caching reduces the transaction time by six clock cycles, but could save much more, depending on how busy the MMU-500 is. This bit can have one of the following values: 0b0 Do not update the TLB with the MMU disable transaction information. 0b1 Update the TLB with the MMU disable transaction information.
[8]	SMTNMB_TLBEN	0b0	Stream match table no match TLB enable. This bit can have one of the following values: 0b0 Do not update the TLB with the stream match table no match TLB enable bypass transaction information. 0b1 Update the TLB with the stream match table no match TLB enable bypass transaction information.
[7:3]	Reserved	-	Reserved.
[2]	S1WC2EN	0b1	Stage 1 walk cache 2 enable. The MMU-500 caches the level 2 PTWs in the stage 1 PTW cache 2. You can enable or disable this behavior by using the SMMU_ACR.S1WC2EN bit. This bit can have one of the following values: 0b0 Disable the PTW cache 2. 0b1 Enable the PTW cache 2.
[1:0]	Reserved	-	Reserved.

a. When reset is asserted, the input **cfg\_normalize** signal value indicates the reset value of the SACR.NORMALIZE bit as follows:

- 0** The reset value is 0b0.
- 1** The reset value is 0b1.

### 3.5.2 Debug registers

#### Purpose

Use the debug AXI4 programming interface for the following information:

- The data stored in the TLB tag. This data is used for transaction matching.
- The physical address and its attributes. These are used for data transactions.

The MMU-500 supports TLB visibility by providing read pointer registers and read data registers to read the values.

On a read access to a TLB data register, the MMU-500 performs the following:

1. Initializes, that is sets to zero, the read pointer register.
2. Increments the read pointer register by one word, that is, four bytes.
3. Reads the TLB data from the read pointer registers.
4. Returns the TLB data on the AXI4 programming interface.

The read pointer register is writable, but the read data register is read-only. The two lower bits of the read pointer registers are RAZ/WI. This ensures that the addresses for a debug TLB fetch are always word aligned.

If the read pointer registers are written with address values that are out-of-bounds of the TLB, the MMU-500 returns zero on the AXI4 programming interface.

See [Global space 0 registers summary on page 3-9](#).

The following registers define the TLB access mechanism:

**SMMU\_GR0\_BASE+0x80**

TBU-TLB read pointer register - only Secure domain access.

**SMMU\_GR0\_BASE+0x84**

TBU-TLB read data register - only Secure domain access. This 32-bit register contains the part of the TLB pointed to by the read pointer register.

**SMMU\_GR0\_BASE+0x88**

TCU-TLB read pointer register - only Secure domain access.

**SMMU\_GR0\_BASE+0x8C**

TCU-TLB read data register - only Secure domain access. This is a 32-bit register that contains the part of the TLB pointed to by the read pointer register.

You can read specific TLB entries by programming the read pointer registers. On an access to the read data register, the MMU-500 returns the TLB entry specified by the read pointer registers and increments the read pointer register. For the next access to the read data register, the MMU-500 reads the read data registers again and returns the next TLB entry.

———— **Note** —————

ARM recommends that you perform a TLB read access when there are no pending transactions. If the TLB read occurs concurrently with transactions, the TLB read can return data before or after the data is updated.

The MMU-500 contains the following debug registers:

- [TBU-TLB Debug Read Pointer register](#).
- [TCU-TLB Debug Read Pointer register on page 3-18](#).
- [Debug Read Data registers on page 3-19](#).

**Configuration** Available in all MMU-500 configurations.

**Usage constraints** Only Secure access is possible.

**Attributes** [Global address space 0 registers summary on page 3-9](#).

**TBU-TLB Debug Read Pointer register**

Bits[31:16] are always 0 unless specified by an AXI4 access.

[Figure 3-4 on page 3-18](#) shows the bit assignments.



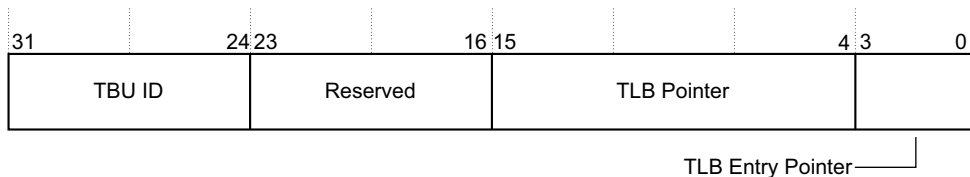


Figure 3-4 SMMU\_DBGPTRTBU register bit assignments

Table 3-9 shows the bit assignments.

Table 3-9 SMMU\_DBGPTRTBU register bit assignments

Bits	Name	Reset value	Description
[31:24]	TBU ID	0x00	TBU identifier. Specifies the TBU from which to read the data. The range of values depends on the number of TBUs configured.
[23:16]	Reserved	-	Reserved.
[15:4]	TLB Pointer	0x000	The pointer to the specified TLB entry.
[3:0]	TLB Entry Pointer	0x0	Words within the TLB entry.

### TCU-TLB Debug Read Pointer register

Bits[31:16] are always 0 unless specified by an AXI4 access.

Figure 3-5 shows the bit assignments.

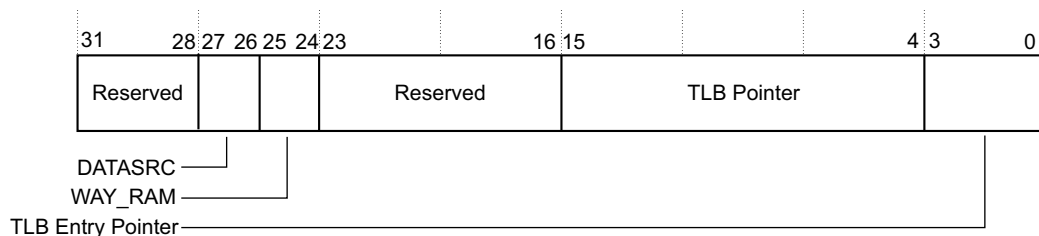


Figure 3-5 SMMU\_DBGPTRTCU register bit assignments

Table 3-10 shows the bit assignments.

**Table 3-10 SMMU\_DBGRPTRTCU register bit assignments**

Bits	Name	Reset value	Description
[31:28]	Reserved	-	Reserved.
[27:26]	DATASRC	-	Specifies the source from which to read the data. This bit field can have one of the following values: 0b00 Macro TLB. 0b01 Prefetch buffer. 0b10 IPA to PA translation cache. 0b11 Walk cache.
[25:24]	WAY_RAM	0b00	The way in which to connect the four-way set associative cache. This bit field can have one of the following values: 0b00 RAM 1. 0b01 RAM 2. 0b10 RAM 3. 0b11 RAM 4.
[23:16]	Reserved	-	Reserved.
[15:4]	TLB Pointer	0x000	The pointer to the specified TLB entry.
[3:0]	TLB Entry Pointer	0x0	Words within the TLB entry.

**Debug Read Data registers**

Table 3-11 shows the Debug Read Data register data format, word 0.

———— **Note** —————

If a parity error occurs because of a soft error in a TBU TLB RAM, and if the entry is invalid, the debug read data can be corrupted and contain an incorrect value.

**Table 3-11 Debug read data register data format, word 0**

Bits	Width	Description
[31:4]	28	The virtual address to use for address lookup.
[3:2]	2	TLB_WORD_INFO. This bit specifies whether the TLB word information is valid. This bit can have one of the following values: 0b0 Valid. 0b1 Invalid.
[1]	1	TLB_POINTER_VALID. This bit specifies whether the TLB pointer is valid. This bit can have one of the following values: 0b0 Valid. 0b1 Invalid.

**Table 3-11 Debug read data register data format, word 0 (continued)**

Bits	Width	Description
[0]	1	TLB_ENTRY_VALID. This bit field specifies whether the TLB entry is valid. This bit field can have one of the following values: 0b00            A word that is not the first or the last of the TLB entry. 0b01            First word of the TLB entry. 0b10            Last word of the TLB entry. 0b11            First word of the TLB.

Table 3-12 shows the Debug Read Data register data format, word 1. For more information, see the *ARM® System Memory Management Unit Architecture Specification*.

**Table 3-12 Debug read data register data format, word 1**

Bits	Width	Description
[31:16]	16	ASID, Address space identifier.
[15]	1	NSSTATE, Non-secure state.
[14:13]	2	The entry type. This bit field can have one of the following values: 0b00            The translation is enabled. 0b01            The translation is disabled. 0b10            The stage to context register bypass information as programmed in the SMMU_S2CRn register. 0b11            The SMMU_CR0.USFCFG bit is set.
[12:4]	9	The virtual address to use for address lookup.
[3:2]	2	TLB_ENTRY_VALID. See Table 3-11 on page 3-19.
[1]	1	TLB_POINTER_VALID. See Table 3-11 on page 3-19.
[0]	1	TLB_WORD_INFO. See Table 3-11 on page 3-19.

Table 3-13 shows the Debug Read Data register data format, word 2.

**Table 3-13 Debug read data register data format, word 2**

Bits	Width	Description
[31:4]	28	Physical address [39:12] bits.
[3:2]	2	TLB_ENTRY_VALID. See Table 3-11 on page 3-19.
[1]	1	TLB_POINTER_VALID. See Table 3-11 on page 3-19.
[0]	1	TLB_WORD_INFO. See Table 3-11 on page 3-19.

Table 3-14 shows the Debug Read Data register data format, word 3.

**Table 3-14 Debug read data register data format, word 3**

Bits	Width	Description
[31]	1	UCI, User Cache Maintenance Operation Enable. See <i>Additional reading on page viii</i> for more information on the usage of this bit.
[30]	1	MMU-500 Enable. This is the global enable bit for the translation context bank. This bit can have one of the following values: 0b0           The MMU-500 behavior for the translation context bank is disabled. 0b1           The MMU-500 behavior for the translation context bank is enabled.
[29]	1	S2 RW64. See the <i>ARM® Architecture Reference Manual, ARMv8, for ARMv8-A architecture profile</i> .
[28]	1	S1 RW64. See the <i>ARM® Architecture Reference Manual, ARMv8, for ARMv8-A architecture profile</i> .
[27]	1	S1 EAE. See the following documents for more information on LPAE addresses: • <i>ARM® Architecture Reference Manual ARMv7-A and ARMv7-R edition</i> . • <i>ARM® Architecture Reference Manual, ARMv8, for ARMv8-A architecture profile</i> .
[26:20]	7	Translation Context Index.
[19]	1	Reserved.
[18:16]	3	Stage 2 Page Size. This bit field can have one of the following values: 0b000       4KB. 0b001       64KB. 0b010       Reserved. 0b011       2MB. 0b100       Reserved. 0b101       Reserved. 0b110       512MB. 0b111       1GB.
[15:13]	3	Stage 1 Page Size. This bit field can have one of the following values: 0b000       4KB. 0b001       64KB. 0b010       1MB. 0b011       2MB. 0b100       16MB. 0b101       Reserved. 0b110       512MB. 0b111       1GB.
[12]	1	Not global. Determines how the translation is marked in the TLB. See the <i>ARM® Architecture Reference Manual ARMv7-A and ARMv7-R edition</i> .
[11:4]	8	Physical Address [47:40] bits.
[3:2]	2	TLB_ENTRY_VALID. See <a href="#">Table 3-11 on page 3-19</a> .
[1]	1	TLB_POINTER_VALID. See <a href="#">Table 3-11 on page 3-19</a> .
[0]	1	TLB_WORD_INFO. See <a href="#">Table 3-11 on page 3-19</a> .

Table 3-15 shows the Debug Read Data register data format, word 4. For more information, see the *ARM® System Memory Management Unit Architecture Specification*.

**Table 3-15 Debug read data register data format, word 4**

Bits	Width	Description
[31:30]	2	NSCFG, Non-secure configuration.
[29:27]	3	SHCFG, shareability configuration.
[26:25]	2	Inner RACFG, read allocate configuration.
[24:23]	2	Outer RACFG, read allocate configuration.
[22:21]	2	Inner WACFG, write allocate configuration.
[20:19]	2	Outer WACFG, write allocate configuration.
[18]	1	PXN, privilege execute never.
[17]	1	Stage 2 XN, execute never.
[16]	1	Stage 1 XN, execute never.
[15:13]	3	Reserved.
[12:11]	2	HAP, stage 2 access permissions bits.
[10:8]	3	AP, access permissions bits.
[7:6]	2	PRIVCFG, privilege configuration.
[5:4]	2	INSTCFG, instruction configuration.
[3:2]	2	TLB_ENTRY_VALID. See Table 3-11 on page 3-19.
[1]	1	TLB_POINTER_VALID. See Table 3-11 on page 3-19.
[0]	1	TLB_WORD_INFO. See Table 3-11 on page 3-19.

Table 3-16 shows the Debug Read Data register data format, word 5. For more information, see the *ARM® System Memory Management Unit Architecture Specification*.

**Table 3-16 Debug read data register data format, word 5**

Bits	Width	Description
[31:26]	6	Reserved.
[25:20]	6	Stream ID mask [15:10] when StreamID is configured as 15 bits.
[19:14]	6	Stream ID [15:10] when StreamID is configured as 15 bits.
[13]	1	The parity bit.
[12:11]	2	Inner TRANSIENTCFG, transient configuration, controls the transient allocation hint.
[10:9]	2	Outer TRANSIENTCFG, transient configuration, controls the transient allocation hint.
[8:4]	5	Memory Attribute. The memory attributes can be overlaid if SMMU_CB $n$ _SCTLR.M is set to 0b0.

**Table 3-16 Debug read data register data format, word 5 (continued)**

Bits	Width	Description
[3:2]	2	TLB_ENTRY_VALID. See <a href="#">Table 3-11 on page 3-19</a> .
[1]	1	TLB_POINTER_VALID. See <a href="#">Table 3-11 on page 3-19</a> .
[0]	1	TLB_WORD_INFO. See <a href="#">Table 3-11 on page 3-19</a> .

[Table 3-17](#) shows the Debug Read Data register data format, word 6.

**Table 3-17 Debug read data register data format, word 6**

Bits	Width	Description
[31:24]	8	Reserved.
[23:14]	10	The StreamID mask.
[13:4]	10	The StreamID.
[3:2]	2	TLB_ENTRY_VALID. See <a href="#">Table 3-11 on page 3-19</a> .
[1]	1	TLB_POINTER_VALID. See <a href="#">Table 3-11 on page 3-19</a> .
[0]	1	TLB_WORD_INFO. See <a href="#">Table 3-11 on page 3-19</a> .

**Performance monitoring**

The MMU-500 supports performance monitoring as explained in the *ARM® System Memory Management Unit Architecture Specification*. One counter group is provided for every TBU that can be used as a global group, as part of a context, or as a stream. The MMU-500 supports four event counters as a global group, and all event classes specified in the *ARM® System Memory Management Unit Architecture Specification*:

- Each TBU contains all performance counters.
- When performance registers are programmed, the TCU sends the setup information for the counter messages to the TBUs.
- On counter overflows, the TBUs pass the information to the TCU, and the TCU raises an interrupt.
- The TCU can also send a request to the TBUs for the current state of the counters.

———— **Note** —————

When the TBU is powered down, the counter data is invalid.

- If the counter value is preset, the TCU updates the TBUs.

## 3.6 Global address space 1

The SMMU\_CBARn.TYPE bit field is RO, if only stage 2 translations are supported. See the *ARM® System Memory Management Unit Architecture Specification* for more information on the global address space 1 registers that include Context Bank Attribute registers, SMMU\_CBARn.

### 3.7 Translation context address space

This section describes the translation context bank register present in the MMU-500.

#### 3.7.1 Auxiliary Control registers

The SMMU\_CBN\_ACTLR characteristics are:

**Purpose** Enable context caching in the macro TLB or prefetch buffer.

**Configuration** Available in all MMU-500 configurations.

**Usage constraints** You must modify this register only during the MMU-500 initialization, otherwise the register modification invalidates all TCU caches.

———— **Note** —————  
 You can modify this register only when the ACR.CACHE\_LOCK bit is 0.

**Attributes** See *Translation context bank registers summary* on page 3-9.

Figure 3-6 shows the bit assignments.

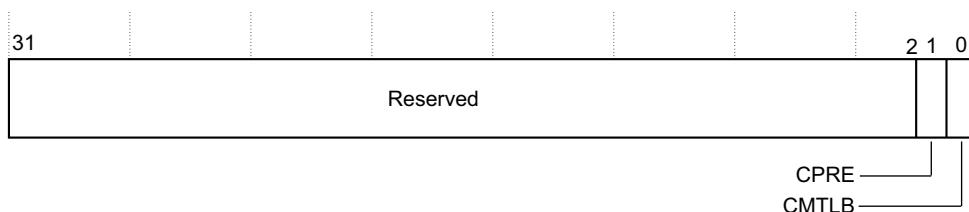


Figure 3-6 SMMU\_CBN\_ACTLR registers bit assignments

Table 3-18 shows the bit assignments.

Table 3-18 SMMU\_CBN\_ACTLR registers bit assignments

Bits	Name	Reset value	Description
[31:2]	Reserved	-	Reserved.
[1]	CPRE	0b1	Enable context caching in the prefetch buffer.
[0]	CMTLB	0b1	Enable context caching in the macro TLB.



### 3.8 Integration registers

This section describes the MMU-500 integration registers in the following sections:

- *Integration Mode Control Register.*
- *Integration Test Input register on page 3-27.*
- *Integration Test Output Global register on page 3-28.*
- *TBU Performance Interrupt register on page 3-29.*
- *Integration Test Output Context Interrupt registers on page 3-32.*
- *TBU QoS registers on page 3-33.*
- *Parity Error Checker Register on page 3-34.*
- *TBU Power Status register on page 3-34.*

———— **Note** —————

All of the integration registers can be accessed in one of the following ways:

- Secure access only.
- When **integ\_sec\_override** signal is set, Non-secure accesses can access the integration registers.

#### 3.8.1 Integration Mode Control Register

The SMMU\_ITCTRL register characteristics are:

**Purpose** This register enables the component to switch from functional mode to integration mode. You can directly control the inputs and outputs in integration mode.

———— **Note** —————

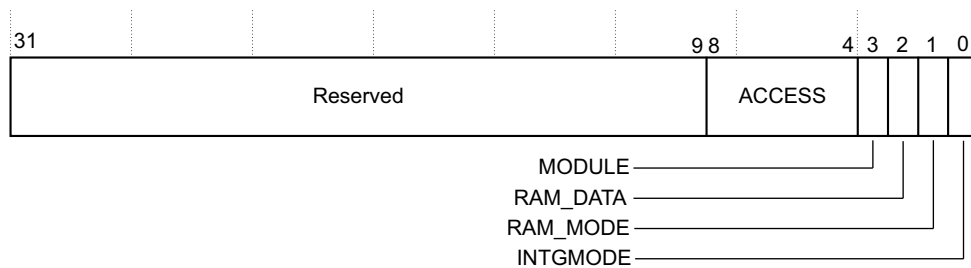
A device might not operate with the original behavior in integration mode. After performing integration, you must reset the system to ensure the correct behavior of system components that are affected by the integration.

Writing to this register other than when in the disabled state results in UNPREDICTABLE behavior.

**Configuration** Available in all MMU-500 configurations.

**Attributes** See *Integration registers summary on page 3-10.*

Figure 3-7 shows the bit assignments.



**Figure 3-7 SMMU\_ITCTRL register bit assignments**

Table 3-19 shows the bit assignments.

**Table 3-19 SMMU\_ITCTRL register bit assignments**

Bits	Name	Reset value	Description
[31:9]	Reserved	-	Reserved.
[8:4]	ACCESS	-	Specifies the access information. The functionality of this bit field is determined by the value of the SMMU_ITCTRL.MODULE bit. If the SMMU_ITCTRL.MODULE bit is set to 0b0, the SMMU_ITCTRL bits[8:5] are ignored, and the SMMU_ITCTRL bit[4] field can have one of the following values: 0b00 IPA2PA access. The MMU-500 sets the RAM mode, and accesses it in the direction specified by the value of the RAM WNR bit. 0b01 MTLB_WC RAM access. The MMU-500 sets the RAM mode and accesses it in the direction specified by the RAM WNR bit. 0b10 CD MFIFO RAM access. The MMU-500 sets the RAM mode and accesses it in the direction specified by the RAM WNR bit. If the SMMU_ITCTRL.MODULE bit is set to 0b1 (that is, the TBU RAM is specified), this bit field provides the TBU number from which the RAM must read or write. Only log <sub>2</sub> (Number of TBUs) bits are valid.
[3]	MODULE	-	The TBU or TCU RAM. This bit can have one of the following values: 0b0 TCU RAM. Bit[4] provides the TCU RAM information. 0b1 TBU RAM. Bit[4] provides the TBU RAM information.
[2]	RAM_DATA	-	RAM data WNR. This bit can have one of the following values: 0b0 The MMU-500 reads from the RAM with the index specified in the SMMU_ITOP_PERF_INDEX register. 0b1 The MMU-500 writes to the RAM with the index specified in the SMMU_ITOP_PERF_INDEX register.
[1]	RAM_MODE	0b0	RAM mode. This bit can have one of the following values: 0b0 The MMU-500 does not drive the RAM bus or read from the RAM. 0b1 The MMU-500 drives the RAM bus or reads from the RAM.
[0]	INTGMODE	0b0	Integration mode. Enables the component to switch between functional mode and integration mode. This bit can have one of the following values: 0b0 Disable integration mode. 0b1 Enable integration mode.

### 3.8.2 Integration Test Input register

The SMMU\_ITIP register characteristics are:

- Purpose** Enables the MMU-500 to read the status of the **spniden** signal.
- Configuration** Available in all MMU-500 configurations.
- Attributes** See *Integration registers summary* on page 3-10.

Figure 3-8 on page 3-28 shows the bit assignments.

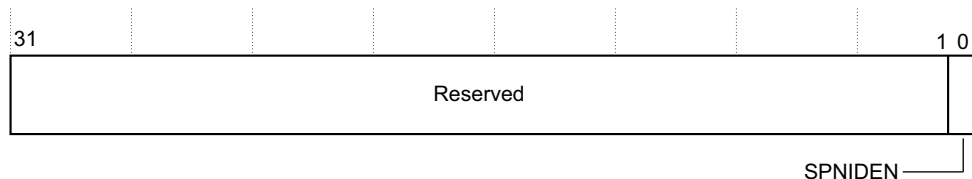


Figure 3-8 SMMU\_ITIP register bit assignments

Table 3-20 shows the bit assignments.

Table 3-20 SMMU\_ITIP register bit assignments

Bits	Name	Reset value	Description
[31:1]	Reserved	-	Reserved.
[0]	SPNIDEN	-	The Secure debug input, that is the value of the <b>spniden</b> signal.

### 3.8.3 Integration Test Output Global register

The SMMU\_ITOP\_GLBL register characteristics are:

- Purpose** Enables the MMU-500 to set the status of the signals as [Table 3-21 on page 3-29](#) shows.
- Configuration** Available in all MMU-500 configurations.
- Attributes** See [Integration registers summary on page 3-10](#).

Figure 3-9 shows the bit assignments.

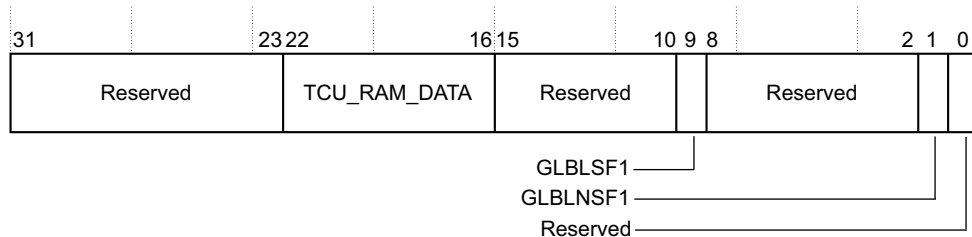


Figure 3-9 SMMU\_ITOP\_GLBL register bit assignments

Table 3-21 shows the bit assignments.

**Table 3-21 SMMU\_ITOP\_GLBL register bit assignments**

Bits	Name	Reset value	Description
[31:23]	Reserved	-	Reserved.
[22:16]	TCU_RAM_DATA	-	This RW bit field has a variable width in the range of $1 - \log_2(\text{Number of contexts})$ , for MTLB or IPA RAMs. This bit field is enabled only for TCU RAMs that is when the SMMU_ITCTRL.RAM_MODE bit is set to 0b1 and the SMMU_ITCTRL.MODULE bit is set to 0b0. The SMMU_ITCTRL.RAM_DATA bit indicates read or write access information and the access direction. The bit field corresponds to the most significant bits of the RAM RW data. The MSB bits for the MTLB or IPA RAMs can be one of the following: <b>[97:91]</b> For only stage 2 translations. <b>[129:123]</b> For stage 1, stage 2, and stage 1 followed by stage 2 translations.
[15:10]	Reserved	-	Reserved.
[9]	GLBLSFI	-	Global Secure fault interrupt. The value of this bit is equal to the value of the <b>gblfltirpts</b> signal. This bit can have one of the following values: 0b0 Disable global Secure fault interrupt. 0b1 Enable global Secure fault interrupt.
[8:2]	Reserved	-	Reserved.
[1]	GLBLNSFI	-	Global Non-secure fault interrupt. The value of this bit is equal to the value of the <b>gblfltirptns</b> signal. This bit can have one of the following values: 0b0 Disable global Non-secure fault interrupt. 0b1 Enable global Non-secure fault interrupt.
[0]	Reserved	-	Reserved.

### 3.8.4 TBU Performance Interrupt register

The SMMU\_ITOP\_PERF\_INDEX register characteristics are:

<b>Purpose</b>	Enables TBU performance interrupts.
<b>Configuration</b>	Available in all MMU-500 configurations.
<b>Usage constraints</b>	The values of the RAM_MODE and MODULE bits of the SMMU_ITCTRL register define the behavior of this register, as follows: <ul style="list-style-type: none"> <li>If the SMMU_ITCTRL.RAM_MODE bit is set to 0b0, the register specifies the TBU interrupt information.</li> <li>If the SMMU_ITCTRL.RAM_MODE bit is set to 0b1 and the SMMU_ITCTRL.MODULE bit is set to 0b0, the register specifies TCU RAM information.</li> <li>If the SMMU_ITCTRL.RAM_MODE bit is set to 0b1 and the SMMU_ITCTRL.MODULE bit is set to 0b1, the register specifies TBU RAM information.</li> </ul>
<b>Attributes</b>	See <a href="#">Integration registers summary</a> on page 3-10.

Figure 3-10 shows the bit assignments when the SMMU\_ITCTRL.RAM\_MODE bit is set to 0b0.

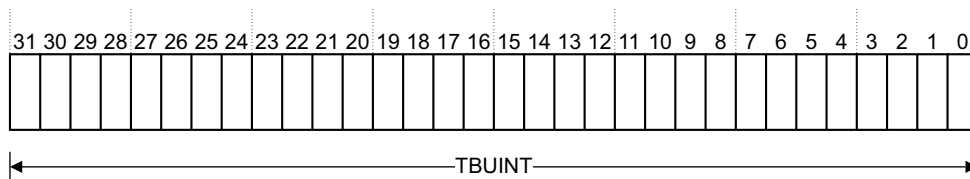


Figure 3-10 SMMU\_ITOP\_PERF\_INDEX register bit assignments-SMMU\_ITCTRL.RAM\_MODE0

Table 3-22 shows the bit assignments when the SMMU\_ITCTRL.RAM\_MODE bit is set to 0b0.

Table 3-22 SMMU\_ITOP\_PERF\_INDEX register bit assignments-SMMU\_ITCTRL.RAM\_MODE0

Bits	Name	Reset value	Description
[31:0]	TBUINT	-	TBU interrupt to enable or disable. <b>Bitn</b> Represents the interrupt from TBUn. This bit can have one of the following values: 0b1 Enable the interrupt from the TBUn. 0b0 Disable the interrupt from the TBUn.
<p><b>Note</b></p> <p>You must specify values only for existing TBUs.</p>			

Figure 3-11 shows the bit assignments when the SMMU\_ITCTRL.RAM\_MODE bit is set to 0b1 and the SMMU\_ITCTRL.MODULE bit is set to 0b0 to specify TCU RAMs.

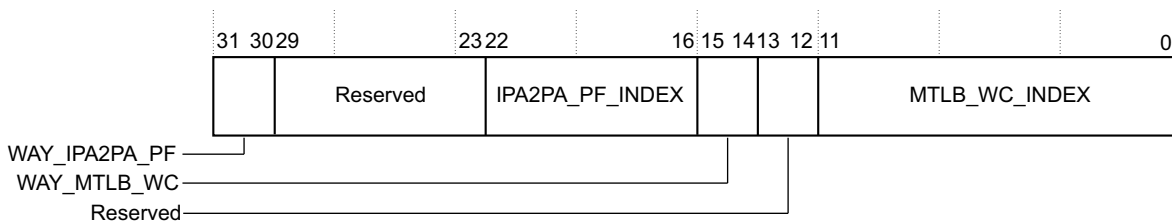


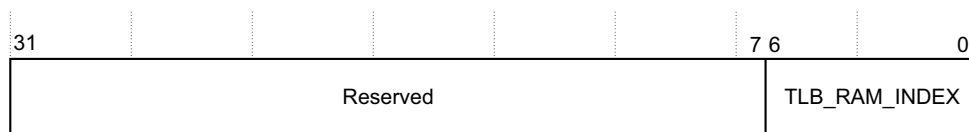
Figure 3-11 SMMU\_ITOP\_PERF\_INDEX register bit assignments-SMMU\_ITCTRL.RAM\_MODE1.MODULE0

Table 3-23 shows the bit assignments when the SMMU\_ITCTRL.RAM\_MODE bit is set to 0b1 and the SMMU\_ITCTRL.MODULE bit is set to 0b0 to specify TCU RAMs.

**Table 3-23 SMMU\_ITOP\_PERF\_INDEX register bit assignments-SMMU\_ITCTRL.RAM\_MODE1.MODULE0**

Bits	Name	Reset value	Description
[31:30]	WAY_IPA2PA_PF	-	The way in which to read or write the IPA to PA translation prefetch RAM. This bit field can have one of the following values: 0b00 Way 0. 0b01 Way 1. 0b10 Way 2. 0b11 Way 3.
[29:23]	Reserved	-	Reserved.
[22:16]	IPA2PA_PF_INDEX	-	The index of the IPA to PA translation prefetch RAM. The number of valid bits depends on the size of the IPA to PA translation cache or the prefetch cache.
[15:14]	WAY_MTLB_WC	-	The way in which to read or write the MTLB_WC RAM. This bit field can have one of the following values: 0b00 Way 0. 0b01 Way 1. 0b10 Way 2. 0b11 Way 3.
[13:12]	Reserved	-	Reserved.
[11:0]	MTLB_WC_INDEX	-	The index of the MTLB_WC RAM. The number of valid bits depends on the size of the macro TLB and the PTW cache.

Figure 3-11 on page 3-30 shows the bit assignments when the SMMU\_ITCTRL.RAM\_MODE bit is set to 0b1 and the SMMU\_ITCTRL.MODULE bit is set to 0b1 to specify TBU RAMs.



**Figure 3-12 SMMU\_ITOP\_PERF\_INDEX register bit assignments-SMMU\_ITCTRL.RAM\_MODE1.MODULE1**

Table 3-23 shows the bit assignments when the SMMU\_ITCTRL.RAM\_MODE bit is set to 0b1 and the SMMU\_ITCTRL.MODULE bit is set to 0b1 to specify TBU RAMs.

**Table 3-24 SMMU\_ITOP\_PERF\_INDEX register bit assignments-SMMU\_ITCTRL.RAM\_MODE1.MODULE1**

Bits	Name	Reset value	Description
[31:7]	Reserved	-	Reserved.
[6:0]	TLB_RAM_INDEX	-	The TLB RAM index.

### 3.8.5 Integration Test Output Context Interrupt registers

The SMMU\_ITOP\_CXTnTOm\_RAMx registers characteristics are:

**Purpose** Enable the context performance interrupts. The MMU-500 provides the following context performance registers that you can use to select contexts 0-31, 32-63, 64-95, or 96-127:

**SMMU\_ITOP\_CXT0TO31\_RAM0**

Register for contexts 0-31.

**SMMU\_ITOP\_CXT32TO63\_RAM1**

Register for contexts 32-63.

**SMMU\_ITOP\_CXT64TO95\_RAM2**

Register for contexts 64-95.

**SMMU\_ITOP\_CXT96TO127\_RAM3**

Register for contexts 96-127.

**Configuration** Available in all MMU-500 configurations.

**Usage constraints** The value of the SMMU\_ITCTRL.RAM\_MODE bit defines the behavior of this register, as follows:

- If the bit is set to 0b0, the register specifies the context interrupt to enable.
- If the bit is set to 0b1, the register specifies the RAM information.

**Attributes** See *Integration registers summary on page 3-10*.

Figure 3-13 shows the bit assignments when the SMMU\_ITCTRL.RAM\_MODE bit is set to 0b0.

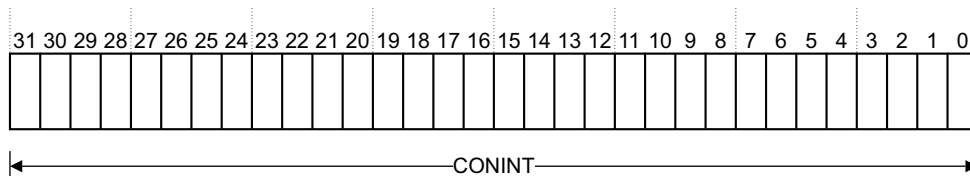


Figure 3-13 SMMU\_ITOP\_CXTnTOm\_RAMx registers bit assignments-SMMU\_ITCTRL.RAM\_MODE0

Table 3-25 shows the bit assignments when the SMMU\_ITCTRL.RAM\_MODE bit is set to 0b0.

Table 3-25 SMMU\_ITOP\_CXTnTOm\_RAMx registers bit assignments-SMMU\_ITCTRL.RAM\_MODE0

Bits	Name	Reset value	Description
[31:0]	CONINT	-	The context interrupt to be enabled or disabled. This bit is WO. <b>Bitn</b> Represents the performance interrupt for context <i>n</i> . This bit can have one of the following values: 0b1 Enable the performance interrupt for context <i>n</i> . 0b0 Disable the performance interrupt for context <i>n</i> .

Figure 3-13 shows the bit assignments when the SMMU\_ITCTRL.RAM\_MODE bit is set to 0b1.

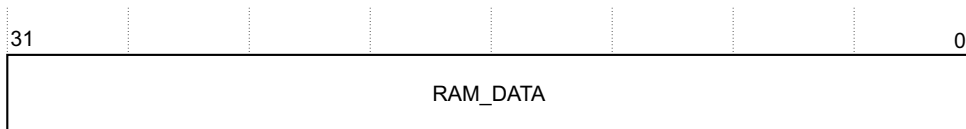


Figure 3-14 SMMU\_ITOP\_CXTnTOm\_RAMx registers bit assignments-SMMU\_ITCTRL.RAM\_MODE1

Table 3-25 on page 3-32 shows the bit assignments when the SMMU\_ITCTRL.RAM\_MODE bit is set to 0b1.

Table 3-26 SMMU\_ITOP\_CXTnTOm\_RAMx registers bit assignments-SMMU\_ITCTRL.RAM\_MODE1

Bits	Name	Reset value	Description
[31:0]	RAM_DATA	-	The RAM data. The SMMU_ITCTRL.RAM_DATA bit indicates read or write access information and the access direction.

### 3.8.6 TBU QoS registers

The SMMU\_TBUQOSx (where x = 0, 1, 2, or 3) registers characteristics are:

- Purpose** Specify the QoS for TBUs.
- Configuration** Available in all MMU-500 configurations.
- Usage constraints** The types of registers are as follows:
  - TBU QoS register 0**  
Used when the TBU<sub>n</sub> is in the range 0-7.
  - TBU QoS register 1**  
Used when the TBU<sub>n</sub> is in the range 8-15.
  - TBU QoS register 2**  
Used when the TBU<sub>n</sub> is in the range 16-23.
  - TBU QoS register 3**  
Used when the TBU<sub>n</sub> is in the range 24-31.
- Attributes** See *Integration registers summary* on page 3-10.

Figure 3-15 shows the bit assignments.

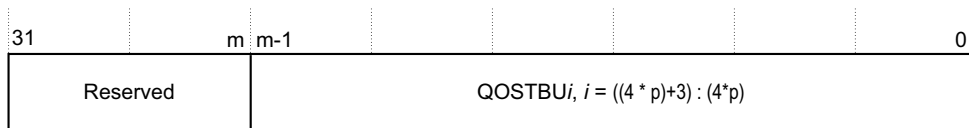


Figure 3-15 SMMU\_TBUQOSx registers bit assignments



Table 3-27 shows the bit assignments.

**Table 3-27 SMMU\_TBUQOSx registers bit assignments**

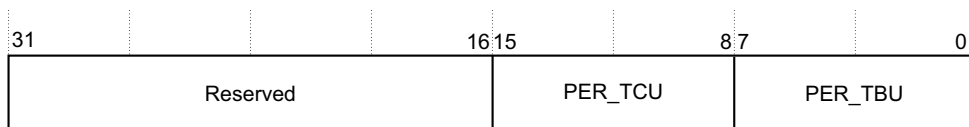
Bits	Name	Reset value	Description
[31:m]	Reserved	-	Reserved.
[m-1:0]	QOSTBU $i$	0	The QoS for value at index $i$ for TBU $n$ is calculated by the following equation: <ul style="list-style-type: none"> <li><math>i = ((4 * p)+3) : (4*p)</math></li> </ul> Where $p$ is the number of TBUs. If the value of $n$ is between 0-7, then $p=n$ . Otherwise, $p=(n\%8)$ .

### 3.8.7 Parity Error Checker Register

The SMMU\_PER characteristics include:

- Purpose** Checks for parity errors in TCU and TBU RAMs.
- Configuration** Available in all MMU-500 configurations.
- Attributes** See *Integration registers summary* on page 3-10.

Figure 3-16 shows the bit assignments.



**Figure 3-16 SMMU\_PER register bit assignments**

Table 3-28 shows the bit assignments.

**Table 3-28 SMMU\_PER register bit assignments**

Bits	Name	Reset value	Description
[31:16]	Reserved	-	Reserved.
[15:8]	PER_TCU	0x00	Parity errors found in TCU RAMs. This bit field saturates after reaching the maximum value.
[7:0]	PER_TBU	0x00	Parity errors found in TBU RAMs. This bit field saturates after reaching the maximum value.

**Note**

The TBU micro TLB, the TCU macro TLB and the walk cache RAMs support single bit error detection and invalidation on error detection. The TCU MFIFO RAM supports the single bit error detection and correction.

### 3.8.8 TBU Power Status register

The SMMU\_TBU\_PWR\_STATUS register characteristics include:

- Purpose** Provides the power status of TBUs.
- Configuration** Available in all MMU-500 configurations.
- Attributes** See *Integration registers summary* on page 3-10.

Figure 3-16 on page 3-34 shows the bit assignments.

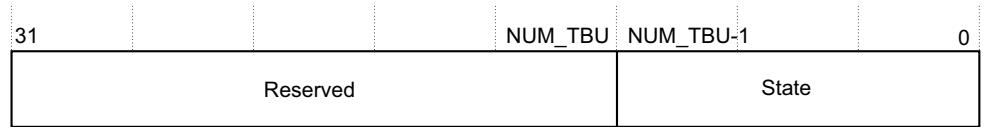


Figure 3-17 SMMU\_TBU\_PWR\_STATUS register bit assignments

Table 3-28 on page 3-34 shows the bit assignments.

Table 3-29 SMMU\_TBU\_PWR\_STATUS register bit assignments

Bits	Name	Reset value	Description				
[31:NUM_TBU]	Reserved	-	Reserved				
[NUM_TBU-1:0]	State	0x0	Indicates the corresponding TBU as follows: <ul style="list-style-type: none"> <li>• Bit n corresponds to TBUn.</li> </ul> Each bit can have one of the following values: <table style="margin-left: 40px; border: none;"> <tr> <td style="padding-right: 20px;"><b>0</b></td> <td>The TBU is powered down.</td> </tr> <tr> <td><b>1</b></td> <td>The TBU is powered up.</td> </tr> </table>	<b>0</b>	The TBU is powered down.	<b>1</b>	The TBU is powered up.
<b>0</b>	The TBU is powered down.						
<b>1</b>	The TBU is powered up.						

### 3.9 Peripheral and component identification registers

This section describes the following identification registers:

- [Component Identification registers.](#)
- [Peripheral Identification registers.](#)

#### 3.9.1 Component Identification registers

The characteristics of the SMMU\_CIDR registers are:

- Purpose** Bits[7:0] of the SMMU\_CIDR 0-3 registers hold preamble information and bits[31:8] are reserved.
- Configuration** Available in all MMU-500 configurations.
- Usage constraints** There are no usage constraints.
- Attributes** See [Peripheral and component identification registers summary on page 3-10.](#)

Figure 3-18 shows the bit assignments.

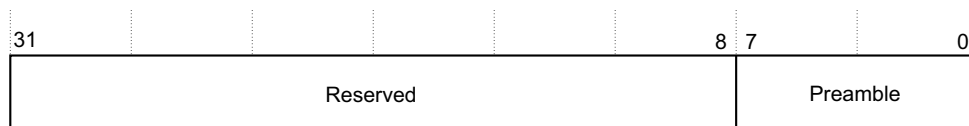


Figure 3-18 SMMU\_CIDR 0-3 registers bit assignments

Table 3-30 shows the bit assignments.

Table 3-30 SMMU\_CIDR 0-3 registers bit assignments

CID	Bits	Name	Reset value	Description
0	[7:0]	Preamble	0x00	Preamble
1	[7:0]	Preamble	0xF0	Preamble
2	[7:0]	Preamble	0x05	Preamble
3	[7:0]	Preamble	0xB1	Preamble

#### 3.9.2 Peripheral Identification registers

The characteristics of the SMMU\_PIDR registers are:

- Purpose** Bits[7:0] of the SMMU\_PIDR 0-4 registers are used and bits[31:8] are reserved. The SMMU\_PIDR 7-5 registers are reserved.
- Configuration** Available in all MMU-500 configurations.
- Usage constraints** There are no usage constraints.
- Attributes** See [Peripheral and component identification registers summary on page 3-10.](#)

The peripheral identification registers are as follows:

- *Peripheral Identification register 0.*
- *Peripheral Identification register 1.*
- *Peripheral Identification register 2 on page 3-38.*
- *Peripheral Identification register 3 on page 3-38.*
- *Peripheral Identification register 4 on page 3-38.*
- *Peripheral Identification registers 5-7 on page 3-39.*

### Peripheral Identification register 0

Figure 3-19 shows the bit assignments.

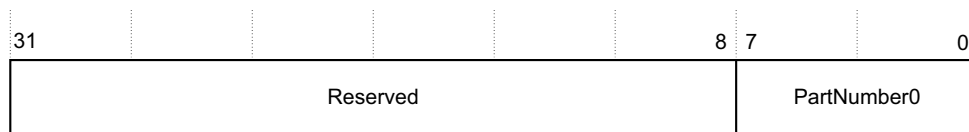


Figure 3-19 SMMU\_PIDR0 register bit assignments

Table 3-31 shows the bit assignments.

Table 3-31 SMMU\_PIDR0 register bit assignments

Bits	Name	Reset value	Description
[31:8]	Reserved	-	Reserved.
[7:0]	PartNumber0	0x81	Middle and lower-packed BCD value of the device number [7:0].

### Peripheral Identification register 1

Figure 3-20 shows the bit assignments.

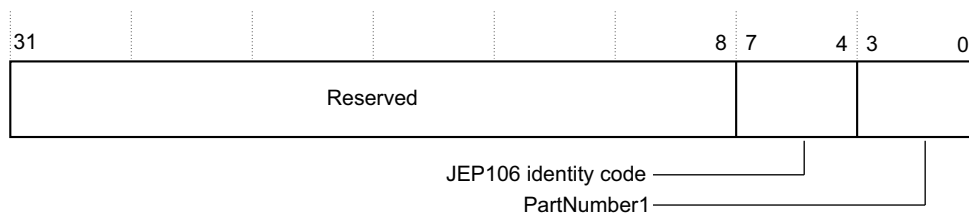


Figure 3-20 SMMU\_PIDR1 register bit assignments

Table 3-32 shows the bit assignments.

Table 3-32 SMMU\_PIDR1 register bit assignments

Bits	Name	Reset value	Description
[31:8]	Reserved	-	Reserved.
[7:4]	JEP106 identity code	0xB	JEP106 identity code.
[3:0]	PartNumber1	0x4	Upper packed-BCD value of the device number [11:8].

### Peripheral Identification register 2

Figure 3-21 shows the bit assignments.



Figure 3-21 SMMU\_PIDR2 register bit assignments

Table 3-33 shows the bit assignments.

Table 3-33 SMMU\_PIDR2 register bit assignments

Bits	Name	Reset value	Description
[31:8]	Reserved	-	Reserved.
[7:4]	Architecture Revision	0x1	Indicates ARM SMMU architecture v2.
[3]	JEDEC	0x1	Always set, indicates that a JEDEC-assigned value is used.
[2:0]	JEP106 identity code	0x3	JEP106 continuation code that identifies the designer. The value of 0x3 indicates ARM.

### Peripheral Identification register 3

Figure 3-22 shows the bit assignments.

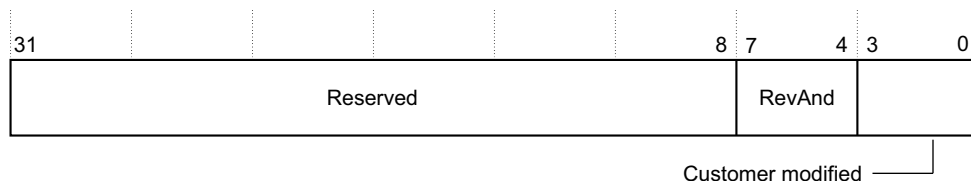


Figure 3-22 SMMU\_PIDR3 register bit assignments

Table 3-34 shows the bit assignments.

Table 3-34 SMMU\_PIDR3 register bit assignments

Bits	Name	Reset value	Description
[31:8]	Reserved	-	Reserved.
[7:4]	RevAnd	0x0	Manufacturer revision number. By default, this value is set to 0x0 (specified by ARM).
[3:0]	Customer modified	0x0	Customer modified number. This value is set to 0x0 (specified by ARM).

### Peripheral Identification register 4

Figure 3-23 on page 3-39 shows the bit assignments.

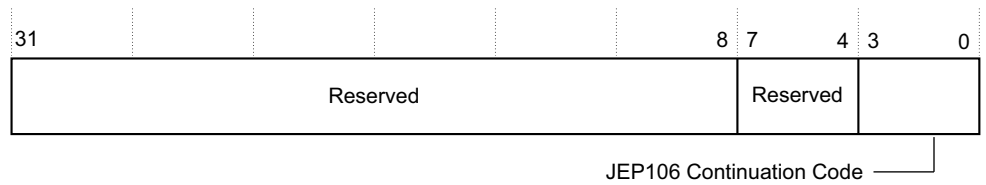


Figure 3-23 SMMU\_PIDR4 register bit assignments

Table 3-35 shows the bit assignments.

Table 3-35 SMMU\_PIDR4 register bit assignments

Bits	Name	Reset value	Description
[31:8]	Reserved	-	Reserved.
[7:4]	4KB Count	0x0	Reserved.
[3:0]	JEP106 continuation code	0x4	JEP106 continuation code that identifies the designer. The value of 0x4 indicates ARM.

### Peripheral Identification registers 5-7

Figure 3-24 shows the bit assignments.

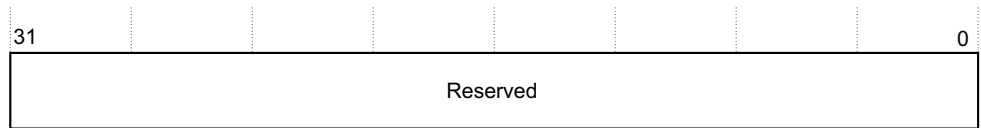


Figure 3-24 SMMU\_PIDR 5-7 register bit assignments

Table 3-36 shows the bit assignments.

Table 3-36 SMMU\_PIDR 5-7 register bit assignments

Bits	Name	Reset value	Description
[31:0]	Reserved	-	Reserved

# Appendix A

## Signal descriptions

This appendix describes the MMU-500 signals in the following sections:

- *Clock and reset signals* on page A-2.
- *ACE-Lite signals* on page A-3.
- *Low-power interface signals* on page A-11.
- *Miscellaneous signals* on page A-13.

## A.1 Clock and reset signals

This section describes the clock and reset signals of the MMU-500.

Table A-1 shows the clock and reset signals of the TCU.

**Table A-1 TCU clock and reset signals**

Signal	Width	I/O	Description
<b>cclk</b>	1	I	Clock for the TCU.
<b>cresetn</b>	1	I	Reset for the TCU.

Table A-2 shows the clock and reset signals of the TBU.

**Table A-2 TBU clock and reset signals**

Signal	Width	I/O	Description
<b>&lt;tbuname&gt;_bclk<sub>n</sub></b>	1	I	TBU <sub>n</sub> clock, where <i>n</i> is a value in the range 0-31. If configured to have a separate PTW AXI port, the clock supplied to TBU0 also clocks the multiplexer between TBU0 and the TCU.
<b>&lt;tbuname&gt;_breset<sub>n</sub></b>	1	I	TBU <sub>n</sub> reset, where <i>n</i> is a value in the range 0-31.

———— **Note** ————

When PTW has a separate AXI port is set to zero, then these two clocks and resets must be the same.



## A.2 ACE-Lite signals

The *ARM® AMBA® AXI and ACE Protocol Specification AXI3, AXI4, and AXI4-Lite ACE and ACE-Lite* describes the AMBA ACE-Lite signals. The following sections describe the ACE-Lite signals:

- [Write address channel signals.](#)
- [Write data channel signals on page A-5.](#)
- [Write response channel signals on page A-6.](#)
- [Read address channel signals on page A-7.](#)
- [Read data channel signals on page A-8.](#)
- [Snoop channel signals on page A-9.](#)

For more information about the output ID width, see [Output ID width on page 1-11](#).

The **awuser\_<tbuname>\_s** and **aruser\_<tbuname>\_s** input user signals consist of the following:

- Input user-defined bits that are passed as is. This information is stored at bits[(INPUT\_AUSER\_WIDTH-3):0].
- Input transient attribute for outer and inner cacheable domains. This information is stored at bits[(INPUT\_AUSER\_WIDTH-1):(INPUT\_AUSER\_WIDTH-2)].

———— **Note** —————

If the system does not generate this information, you must tie-off bits[(INPUT\_AUSER\_WIDTH-1):(INPUT\_AUSER\_WIDTH-2)] to zero.

There is a 4-bit signal addition to the **awuser\_<tbuname>\_m** and **aruser\_<tbuname>\_m** input user signals to form the output user signal. Therefore, the output user signals consist of the following parts:

- Output user-defined bits that are the same as the input user-defined bits. This information is stored at bits[(INPUT\_AUSER\_WIDTH-3):0].  
Output transient attribute for outer and inner cacheable domains. This information is stored at bits[(INPUT\_AUSER\_WIDTH-1):(INPUT\_AUSER\_WIDTH-2)]. These bits are not the same as the input transient attribute, but are translated just like other attributes, based on register programming and page tables.

———— **Note** —————

If the system does not use the transient attribute, you can ignore the corresponding output signal.

- Output cache attributes form the inner cacheable domain. The MMU-500 outputs this information at bits [(INPUT\_AUSER\_WIDTH+3):(INPUT\_AUSER\_WIDTH)].
  - The page tables provide the cacheability attributes for the outer and inner cacheability domains.
  - The **arcache** and **awcache** signals contain the outer cacheability domain attributes.
  - The MMU-500 appends the inner cacheability domain attributes to the user signal.

### A.2.1 Write address channel signals

[Table A-3 on page A-4](#) shows the ACE-Lite write address channel signals for the TBU.

————— **Note** —————

The \*\_**prog** signals follow the AXI4 protocol, and the TBU signals follow the ACE-Lite protocol.

**Table A-3 TBU write address channel signals**

ACE-Lite	TBU slave port	Width	I/O	TBU master port	Width	I/O
AWID	awid_<tbuname>_s <sup>a</sup>	SIW	I	awid_<tbuname>_m <sup>b</sup>	MIW	O
AWADDR	awaddr_<tbuname>_s	49	I	awaddr_<tbuname>_m	48	O
AWLEN	awlen_<tbuname>_s	8	I	awlen_<tbuname>_m	8	O
AWSIZE	awsize_<tbuname>_s	3	I	awsize_<tbuname>_m	3	O
AWBURST	awburst_<tbuname>_s	2	I	awburst_<tbuname>_m	2	O
AWLOCK	awlock_<tbuname>_s	1	I	awlock_<tbuname>_m	1	O
AWCACHE	awcache_<tbuname>_s	4	I	awcache_<tbuname>_m	4	O
AWPROT	awprot_<tbuname>_s	3	I	awprot_<tbuname>_m	3	O
AWVALID	awvalid_<tbuname>_s	1	I	awvalid_<tbuname>_m	1	O
AWREGION	awregion_<tbuname>_s	4	I	awregion_<tbuname>_m	4	O
AWQOS	awqos_<tbuname>_s	4	I	awqos_<tbuname>_m	4	O
AWSNOOP	awsnoop_<tbuname>_s	3	I	awsnoop_<tbuname>_m	3	O
AWBAR	awbar_<tbuname>_s	2	I	awbar_<tbuname>_m	2	O
AWDOMAIN	awdomain_<tbuname>_s	2	I	awdomain_<tbuname>_m	2	O
AWUSER	awuser_<tbuname>_s	(IAUW-2) <sup>c</sup>	I	awuser_<tbuname>_m	(IAUW+2) <sup>c</sup>	O
AWREADY	awready_<tbuname>_s	1	O	awready_<tbuname>_m	1	I

- a. The slave ID width, SIW, that is the same as the configured AXI ID signal width. See [Configurable options on page 1-10](#) for more information.
- b. The master ID width, MIW, is the calculated output ID width. See [Output ID width on page 1-11](#) for more information.
- c. The INPUT\_AUSER\_WIDTH, IAUW. See [ACE-Lite signals on page A-3](#).

[Table A-4](#) shows the ACE-Lite write address channel signals for the TCU.

————— **Note** —————

AW, W, and B channels of the PTW interface are not used.

**Table A-4 TCU write address channel signals**

ACE-Lite	TCU slave port	Width	I/O	TCU master port <sup>a</sup>	Width	I/O
AWID	awid_prog	(AXIPID+1) <sup>b</sup>	I	awid_ptw	MIW <sup>c</sup>	O
AWADDR	awaddr_prog	32	I	awaddr_ptw	48	O
AWLEN	awlen_prog	8	I	awlen_ptw	8	O

Table A-4 TCU write address channel signals (continued)

ACE-Lite	TCU slave port	Width	I/O	TCU master port <sup>a</sup>	Width	I/O
AWSIZE	awsizе_prog	3	I	awsizе_ptw	3	O
AWBURST	awburst_prog	2	I	awburst_ptw	2	O
AWLOCK	awlock_prog	1	I	awlock_ptw	1	O
AWCACHE	awcache_prog	4	I	awcache_ptw	4	O
AWPROT	awprot_prog	3	I	awprot_ptw	3	O
AWVALID	awvalid_prog	1	I	awvalid_ptw	1	O
AWREGION	awregion_prog	4	I	awregion_ptw	4	O
AWQOS	awqos_prog	4	I	-	-	-
AWSNOOP	-	-	-	awsnoop_ptw	3	O
AWBAR	-	-	-	awbar_ptw	2	O
AWDOMAIN	-	-	-	awdomain_ptw	2	O
AWUSER	-	-	-	awuser_ptw	6	O
AWREADY	awready_prog	1	O	awready_ptw	1	I

- For PTW, the write address channel signals are unused.
- The AXI programming interface ID signal width, AXIPID, is the AXI programming interface ID signal width. See [Configurable options on page 1-10](#) for more information.
- The master ID width, MIW, is the calculated output ID width. See [Output ID width on page 1-11](#) for more information.

## A.2.2 Write data channel signals

Table A-5 shows the ACE-Lite write data channel signals for the TBU.

Table A-5 TBU write data channel signals

ACE-Lite	TBU slave port	Width	I/O	TBU master port	Width	I/O
WDATA	wdata_<tbuname>_s	(WDW) <sup>a</sup>	I	wdata_<tbuname>_m	(WDW)	O
WSTRB	wstrb_<tbuname>_s	(WSW) <sup>b</sup>	I	wstrb_<tbuname>_m	(WSW)	O
WLAST	wlast_<tbuname>_s	1	I	wlast_<tbuname>_m	1	O
WVALID	wvalid_<tbuname>_s	1	I	wvalid_<tbuname>_m	1	O
WUSER	wuser_<tbuname>_s	WUSER <sup>c</sup>	I	wuser_<tbuname>_m	WUSER	O
WREADY	wready_<tbuname>_s	1	O	wready_<tbuname>_m	1	I

- The write data width, WDW, that is the same as the configured AXI data bus width parameter. See [Configurable options on page 1-10](#) for more information.
- The write strobe width, WSW, that is 1/8 times the configured AXI data bus width parameter. See [Configurable options on page 1-10](#) for more information.
- The width of the **wuser** signal, specified by the Width of the AXI slave interface WUSER signals parameter. See [Configurable options on page 1-10](#) for more information.

Table A-6 shows the ACE-Lite write data channel signals for the TCU.

Table A-6 TCU write data channel signals

ACE-Lite	TCU slave port	Width	I/O	TCU master port <sup>a</sup>	Width	I/O
WDATA	wdata_prog	64	I	wdata_ptw	(WDW) <sup>b</sup>	O
WSTRB	wstrb_prog	8	I	wstrb_ptw	(WSW) <sup>c</sup>	O
WLAST	wlast_prog	1	I	wlast_ptw	1	O
WVALID	wvalid_prog	1	I	wvalid_ptw	1	O
WUSER	-	-	-	wuser_ptw	WUSER	O
WREADY	wready_prog	1	O	wready_ptw	1	I

- For PTW, the write data channel signals are unused.
- The write data width, WDW, that is the same as the configured PTW AXI data bus width parameter. See *Configurable options on page 1-10* for more information.
- The write strobe width, WSW, that is 1/8 times the configured PTW AXI data bus width parameter. See *Configurable options on page 1-10* for more information.

### A.2.3 Write response channel signals

Table A-7 shows the ACE-Lite write response channel signals for the TBU.

Table A-7 TBU write response channel signals

ACE-Lite	TBU slave port	Width	I/O	TBU master port	Width	I/O
BID	bid_<tbuname>_s	SIW <sup>a</sup>	O	bid_<tbuname>_m	MIW <sup>b</sup>	I
BRESP	bresp_<tbuname>_s	2	O	bresp_<tbuname>_m	2	I
BVALID	bvalid_<tbuname>_s	1	O	bvalid_<tbuname>_m	1	I
BUSER	buser_<tbuname>_s	BUSER <sup>c</sup>	O	buser_<tbuname>_m	BUSER	I
BREADY	bready_<tbuname>_s	1	I	bready_<tbuname>_m	1	O

- The slave ID width, SIW, that is the same as the configured AXI ID signal width. See *Configurable options on page 1-10* for more information.
- The master ID width, MIW, is the calculated output ID width. See *Output ID width on page 1-11* for more information.
- The width of the **buser** signal, specified by the Width of the AXI slave interface BUSER signals parameter. See *Configurable options on page 1-10* for more information.

Table A-7 shows the ACE-Lite write response channel signals for the TCU.

Table A-8 TCU write response channel signals

ACE-Lite	TCU slave port	Width	I/O	TCU master port <sup>a</sup>	Width	I/O
BID	bid_prog	(AXIPID+1) <sup>b</sup>	O	bid_ptw	MIW <sup>c</sup>	I
BRESP	bresp_prog	2	O	bresp_ptw	2	I

Table A-8 TCU write response channel signals (continued)

ACE-Lite	TCU slave port	Width	I/O	TCU master port <sup>a</sup>	Width	I/O
<b>BVALID</b>	<b>bvalid_prog</b>	1	O	<b>bvalid_ptw</b>	1	I
<b>BUSER</b>	-	-	-	<b>buser_ptw</b>	BUSER	I
<b>BREADY</b>	<b>bready_prog</b>	1	I	<b>bready_ptw</b>	1	O

- For PTW, the write response channel signals are unused.
- The AXI programming interface ID signal width, AXIPIID, is the AXI programming interface ID signal width parameter. See [Configurable options on page 1-10](#) for more information.
- The master ID width, MIW, is the calculated output ID width. See [Output ID width on page 1-11](#) for more information.

## A.2.4 Read address channel signals

Table A-9 shows the ACE-Lite read address channel signals for the TBU.

Table A-9 TBU read address channel signals

ACE-Lite	TBU slave port	Width	I/O	TBU master port	Width	I/O
<b>ARID</b>	<b>arid_&lt;tbname&gt;_s</b>	SIW <sup>a</sup>	I	<b>arid_&lt;tbname&gt;_m</b>	MIW <sup>b</sup>	O
<b>ARADDR</b>	<b>araddr_&lt;tbname&gt;_s</b>	49	I	<b>araddr_&lt;tbname&gt;_m</b>	48	O
<b>ARLEN</b>	<b>arlen_&lt;tbname&gt;_s</b>	8	I	<b>arlen_&lt;tbname&gt;_m</b>	8	O
<b>ARSIZE</b>	<b>arsize_&lt;tbname&gt;_s</b>	3	I	<b>arsize_&lt;tbname&gt;_m</b>	3	O
<b>ARBURST</b>	<b>arburst_&lt;tbname&gt;_s</b>	2	I	<b>arburst_&lt;tbname&gt;_m</b>	2	O
<b>ARLOCK</b>	<b>arlock_&lt;tbname&gt;_s</b>	1	I	<b>arlock_&lt;tbname&gt;_m</b>	1	O
<b>ARCACHE</b>	<b>arcache_&lt;tbname&gt;_s</b>	4	I	<b>arcache_&lt;tbname&gt;_m</b>	4	O
<b>ARPROT</b>	<b>arprot_&lt;tbname&gt;_s</b>	3	I	<b>arprot_&lt;tbname&gt;_m</b>	3	O
<b>ARVALID</b>	<b>arvalid_&lt;tbname&gt;_s</b>	1	I	<b>arvalid_&lt;tbname&gt;_m</b>	1	O
<b>ARREGION</b>	<b>arregion_&lt;tbname&gt;_s</b>	4	I	<b>arregion_&lt;tbname&gt;_m</b>	4	O
<b>ARQOS</b>	<b>arqos_&lt;tbname&gt;_s</b>	4	I	<b>arqos_&lt;tbname&gt;_m</b>	4	O
<b>ARSNOOP</b>	<b>arsnoop_&lt;tbname&gt;_s</b>	4	I	<b>arsnoop_&lt;tbname&gt;_m</b>	4	O
<b>ARBAR</b>	<b>arbar_&lt;tbname&gt;_s</b>	2	I	<b>arbar_&lt;tbname&gt;_m</b>	2	O
<b>ARDOMAIN</b>	<b>ardomain_&lt;tbname&gt;_s</b>	2	I	<b>ardomain_&lt;tbname&gt;_m</b>	2	O
<b>ARUSER</b>	<b>aruser_&lt;tbname&gt;_s</b>	(IAUW-2) <sup>c</sup>	I	<b>aruser_&lt;tbname&gt;_m</b>	(IAUW+2) <sup>c</sup>	O
<b>ARREADY</b>	<b>arready_&lt;tbname&gt;_s</b>	1	O	<b>arready_&lt;tbname&gt;_m</b>	1	I

- The slave ID width, SIW, that is the same as the configured AXI ID signal width parameter. See [Configurable options on page 1-10](#) for more information.
- The master ID width, MIW, is the calculated output ID width. See [Output ID width on page 1-11](#) for more information.
- The INPUT\_AUSER\_WIDTH, IAUW. See [ACE-Lite signals on page A-3](#) for more information.

Table A-9 on page A-7 shows the ACE-Lite read address channel signals for the TCU.

Table A-10 TCU read address channel signals

ACE-Lite	TCU slave port	Width	I/O	TCU master port	Width	I/O
ARID	arid_prog	(AXIPID+1) <sup>a</sup>	I	arid_ptw	MIW <sup>b</sup>	O
ARADDR	araddr_prog	32	I	araddr_ptw	48	O
ARLEN	arlen_prog	8	I	arlen_ptw	8	O
ARSIZE	arsize_prog	3	I	arsize_ptw	3	O
ARBURST	arburst_prog	2	I	arburst_ptw	2	O
ARLOCK	arlock_prog	1	I	arlock_ptw	1	O
ARCACHE	arcache_prog	4	I	arcache_ptw	4	O
ARPROT	arprot_prog	3	I	arprot_ptw	3	O
ARVALID	arvalid_prog	1	I	arvalid_ptw	1	O
ARREGION	arregion_prog	4	I	arregion_ptw	4	O
ARQOS	arqos_prog	4	I	arqos_ptw	4	O
ARSNOOP	-	-	-	arsnoop_ptw	4	O
ARBAR	-	-	-	arbar_ptw	2	O
ARDOMAIN	-	-	-	ardomain_ptw	2	O
ARUSER	-	-	-	aruser_ptw	6 <sup>c</sup>	O
ARREADY	arready_prog	1	O	arready_ptw	1	I

- The AXI programming interface ID signal width, AXIPID, is the AXI programming interface ID signal width parameter. See *Configurable options on page 1-10* for more information.
- The master ID width, MIW, is the calculated output ID width. See *Output ID width on page 1-11* for more information.
- The bit assignments are as follows:
 

[5:2]	Inner cache attributes for the PTW.
[1]	Outer transient attribute for the PTW.
[0]	Inner transient attribute for the PTW.

## A.2.5 Read data channel signals

Table A-11 shows the ACE-Lite read data channel signals for the TBU.

Table A-11 TBU read data channel signals

ACE-Lite	TBU slave port	Width	I/O	TBU master port	Width	I/O
RID	rid_<tbuname>_s <sup>a</sup>	SIW	O	arid_<tbuname>_m <sup>b</sup>	MIW	I
RDATA	rdata_<tbuname>_s <sup>c</sup>	WDW	I	rdata_<tbuname>_m	WDW	I
RRESP <sup>d</sup>	rresp_<tbuname>_s	2	O	rresp_<tbuname>_m	4	I
RLAST	rlast_<tbuname>_s	1	O	rlast_<tbuname>_m	1	I

Table A-11 TBU read data channel signals (continued)

ACE-Lite	TBU slave port	Width	I/O	TBU master port	Width	I/O
RVALID	rvalid_<tbuname>_s	1	O	rvalid_<tbuname>_m	1	I
RUSER	ruser_<tbuname>_s	RUSER <sup>c</sup>	O	ruser_<tbuname>_m	RUSER	I
RREADY	rready_<tbuname>_s	1	I	rready_<tbuname>_m	1	O

- The slave ID width, SIW, that is the same as the configured AXI ID signal width. See [Configurable options on page 1-10](#) for more information.
- The master ID width, MIW, is the calculated output ID width. See [Output ID width on page 1-11](#) for more information.
- The read data width, RDW, that is the same as the configured write data width parameter. See [Configurable options on page 1-10](#) for more information.
- In the ACE-Lite specification, the RRESP signal is two bits wide. However, when a shared interface is used in the MMU-500 to enable DVM operation, the ACE protocol AC and CR signals are used. As a result, the RRESP signal is increased in size by two bits, that is [3:2]. Bit[3] and bit[2] are not on ACE-Lite interfaces, so you can tie the RRESP[3:2] signal to 0x0.
- The width of the RUSER signal, specified by the width of the AXI slave interface RUSER signals parameter. See [Configurable options on page 1-10](#) for more information.

Table A-12 shows the ACE-Lite read data channel signals for the TCU.

Table A-12 TCU read data channel signals

ACE-Lite	TCU slave port	Width	I/O	TCU master port	Width	I/O
RID	arid_prog	(AXIPID+1) <sup>a</sup>	I	arid_ptw	MIW <sup>b</sup>	I
RDATA	rdata_prog	64	O	rdata_ptw	128	I
RRESP <sup>c</sup>	rresp_prog	2	O	rresp_ptw	4	I
RLAST	rlast_prog	1	O	rlast_ptw	1	I
RVALID	rvalid_prog	1	O	rvalid_ptw	1	I
RUSER	-	-	-	ruser_ptw	RUSER	I
RREADY	rready_prog	1	I	rready_ptw	1	O

- The AXI programming interface ID signal width, AXIPID, is the AXI programming interface ID signal width parameter. See [Configurable options on page 1-10](#) for more information.
- The master ID width, MIW, is the calculated output ID width. See [Output ID width on page 1-11](#) for more information.
- In the ACE-Lite specification, the RRESP signal is two bits wide. However, when a shared interface is used in the MMU-500 to enable DVM operation, the ACE protocol AC and CR signals are used. As a result, the RRESP signal is increased in size by two bits, that is [3:2]. Bit[3] and bit[2] are not on ACE-Lite interfaces, so you can tie the RRESP[3:2] signal to 0x0.

## A.2.6 Snoop channel signals

Table A-13 on page A-10 shows the ACE-Lite snoop channel signals.

Table A-13 Snoop channel signals

ACE-Lite	Signal <sup>a</sup>	Width	I/O	Description
<b>Snoop address channel signals</b>				
ACADDR	acaddr_<ptw>_m	44	I	Snoop address.
ACPROT	acprot_<ptw>_m	3	I	Snoop protection information.
ACVALID	acvalid_<ptw>_m	1	I	Valid signal for the snoop address channel.
ACSNOOP	acsnoop_<ptw>_m	4	I	Snoop transaction type.
ACREADY	acready_<ptw>_m	1	O	Ready signal for the snoop address channel.
<b>Snoop response channel signals</b>				
CRRESP	crresp_<ptw>_m	5	O	Snoop response.
CRVALID	crvalid_<ptw>_m	1	O	Valid signal for the snoop response channel.
CRREADY	crready_<ptw>_m	1	I	Ready signal for the snoop response channel.

a. If a separate PTW port is not configured then the signal names are suffixed with the <tbu0name>.



### A.3 Low-power interface signals

Table A-14 shows the standard TCU low-power interface signals.

Table A-14 TCU low-power interface signals

Low-power interface signal	TCU block signal	Width	Direction
QREQn	qreqn_tcu	1	I
QACTIVE	qactive_tcu	1	O
QACCEPTn	qacceptn_tcu	1	O

Table A-15 shows the standard TBU low-power interface signals.

Table A-15 TBU low-power interface signals

Low-power interface signal	TBU block signal	Width	Direction
QREQn	qreqn_tbu_<tbuname>_pd	1	I
	qreqn_tbu_<tbuname>_cg	1	
	qreqn_pd_slv_br_<tbuname> <sup>a</sup>	1	
	qreqn_pd_mst_br_<tbuname> <sup>a</sup>	1	
QACCEPTn	qacceptn_tbu_<tbuname>_pd	1	O
	qacceptn_tbu_<tbuname>_cg	1	
	qacceptn_pd_slv_br_<tbuname> <sup>a</sup>	1	
	qacceptn_pd_mst_br_<tbuname> <sup>a</sup>	1	
QACTIVE	qactive_tbu_<tbuname>_cg	1	O
	qactive_br_tbu_<tbuname> <sup>a</sup>	1	
	qactive_br_tcu_<tbuname> <sup>a</sup>	1	

a. When the clock or power bridge is not present in the TBU, these signal does not exist.

Table A-16 shows the **AWAKEUP** signals.

The MMU-500 ensures that the **AWAKEUP** signal outputs are driven from a flip-flop and along with a transaction **AXVALID** or **WVALID**, or for multiplexed configurations the **AWAKEUP** signal can be delayed by one cycle with respect to an asserted **AXVALID** or **WVALID** to ensure it is a registered output.

Table A-16 AWAKEUP signals

Signal	Width	I/O	Description	Block
awakeup_<tbuname>_s	1	I	Indicates that one of address read, address write, or write data channels has active transactions pending at the TBU slave interface.	TBU
awakeup_<tbuname>_m	1	O	Indicates that one of address read, address write, or write data channels has active transactions pending at the TBU master interface	TBU
awakeup_ptw	1	O	Indicates that a PTW transaction is present at the TCU master interface. This signal is present only when you specify a dedicated PTW channel.	TCU

**Table A-16 AWAKEUP signals (continued)**

<b>Signal</b>	<b>Width</b>	<b>I/O</b>	<b>Description</b>	<b>Block</b>
<b>awakeup_dvm_ptw</b>	1	I	Indicates that a DVM transaction is present on the TCU AC channel. This signal is present only when you specify a dedicated PTW channel.	TCU
<b>awakeup_dvm_&lt;tbuname&gt;</b>	1	I	Indicates that a DVM transaction is present on the TBU AC channel. This signal is present only when you do not specify a dedicated PTW channel.	TBU
<b>awakeup_prog</b>	1	I	Indicates that one of address read, address write, or write data channels has active transactions pending at the TCU programming interface.	TCU

## A.4 Miscellaneous signals

This section describes the following non-AMBA signals:

- [Sideband signals](#).
- [Interrupt signals](#).
- [Authentication interface signal on page A-14](#).
- [Tie-off signals on page A-15](#).
- [Performance event signals on page A-15](#).

### A.4.1 Sideband signals

Table A-17 shows the sideband signals.

**Table A-17 Sideband signals**

Signal	I/O	Width	Description
<b>rsb_ns_&lt;tbuname&gt;_s</b>	I	1	Determines the Non-secure state of an incoming read transaction. The value of this signal depends on the <b>arvalid</b> signal.
<b>wsb_ns_&lt;tbuname&gt;_s</b>	I	1	Determines the Non-secure state of an incoming write transaction. The value of this signal depends on the <b>awvalid</b> signal.
<b>wsb_ssd_&lt;tbuname&gt;_s</b>	I	10	Sideband signal to indicate the SSD index. If the <b>rsb_ns</b> or <b>wsb_ns</b> signal exists, then this signal does not exist. The value of this signal depends on the <b>awvalid</b> signal.
<b>rsb_ssd_&lt;tbuname&gt;_s</b>	I	10	Sideband signal to indicate the SSD index. If the <b>rsb_ns</b> or <b>wsb_ns</b> signal exists, then this signal does not exist. The value of this signal depends on the <b>arvalid</b> signal.
<b>wsb_sid_&lt;tbuname&gt;_s</b>	I	1-10 or 15	Sideband signal to indicate the write StreamID. The value of this signal depends on the <b>awvalid</b> signal.
<b>rsb_sid_&lt;tbuname&gt;_s</b>	I	1-10 or 15	Sideband signal to indicate the read StreamID. The value of this signal depends on the <b>arvalid</b> signal.
<b>arqosarb</b>	O	4	Highest QoS of all active page table transactions in the MMU-500.

### A.4.2 Interrupt signals

Table A-18 shows the interrupt signals generated by the MMU-500. See the *ARM® System Memory Management Unit Architecture Specification* for more information.

**Table A-18 Interrupt signals**

Signal	I/O	Width	Description
<b>gblflt_irpt_s</b>	O	1	Global Secure fault interrupt. This interrupt can be cleared by writing 0xFFFFFFFF to a Secure Global Fault Status register.
<b>gblflt_irpt_ns</b>	O	1	Global Non-secure fault interrupt. This interrupt can be cleared by writing 0xFFFFFFFF to a Non-Secure Global Fault Status register.
<b>perf_irpt_&lt;tbuname&gt;</b>	O	1	Performance counter interrupt, one for every TBU. This interrupt can be cleared by writing one to the corresponding bit in overflowing performance counter, PMOVSLRx.

Table A-18 Interrupt signals (continued)

Signal	I/O	Width	Description
<b>ext_irpt_&lt;SMMU_IDR1.NUMCB-1:0&gt;</b>	O	1	Non-secure context interrupts for 0-(NUM_CONTEXT - 1), where NUM_CONTEXT is the number of contexts. This interrupt can be cleared by writing 0xFFFF_FFFF to a Fault status register, of the faulting context, followed by a write to a Resume register for contexts in stalled status.
<b>comb_irpt_ns</b>	O	1	Non-secure combined interrupt. This combined interrupt is the logical OR of <b>gblflt_irpt_ns</b> , <b>perf_irpt_&lt;tbuname&gt;</b> , and <b>ext_irpt_[(SCR1.NSNUMCBO-1):0]</b> .
<b>comb_irpt_s</b>	O	1	Secure combined interrupt. This combined interrupt is the logical OR of <b>gblflt_irpt_s</b> and <b>ext_irpt_[(SMMU_IDR1.NUMCB-1):(SMMU_SCR1.NSNUMCBO)]</b> .

#### A.4.3 Authentication interface signal

The authentication interface disables AXI accesses. [Table A-19](#) shows the authentication interface signal. See the *ARM® CoreSight™ Architecture Specification* for more information.

Table A-19 Authentication Interface signal

Signal	I/O	Width	Description
<b>spniden</b>	I	1	Secure privileged non-invasive debug enable. When the <b>spniden</b> signal is high, it enables counting of the Secure events. You can specify one of the following values: 0b0 Do not count Secure events in the performance counters. 0b1 Count Secure events in the performance counters.

## A.4.4 Tie-off signals

Table A-20 shows the tie-off signals.

**Table A-20 Tie-off signals**

Signal	I/O	Width	Description
<b>cfg_cttw</b>	I	1	Indicates whether the system supports coherent page table walks. This information is also shown in the SMMU_IDR0. The signal value does not have any impact on the way the MMU-500 generates accesses. Instead, the signal value is generated by the system integrator and it is used to check the coherency of the system to which the TCU is connected. You can specify one of the following options: 0b0           The system does not support coherent page table walks. 0b1           The system supports coherent page table walks.
<b>dftclkenable</b>	I	1	When this signal is HIGH, the MMU-500 bypasses architectural clock gates. This signal is used in the DFT test mode. You can specify one of the following values: 0b0           Functional mode. 0b1           Bypass architectural clock gates in the DFT test mode.
<b>integ_sec_override</b>	I	1	When this signal is set, Non-secure accesses can access the integration registers. See <a href="#">Integration registers on page 3-26</a>  ———— <b>Note</b> ————— When this signal is HIGH, you must tie the <b>spniden</b> input signal LOW.
<b>sysbardisable_&lt;tbuname&gt;</b>	I	1	Specifies whether the MMU-500 can generate barriers or not. You can specify one of the following options: 0b0           The MMU-500 generates barriers and transmits the barriers that it receives. 0b1           The MMU-500 does not generate barriers. However, it must transmit the barriers it receives from the master connected to it.
<b>dftmcpHold</b>	I	1	This signal must be tied HIGH when TCU half clock configuration is selected to enable scan testing.
<b>cfg_normalize</b>	I	1	This signal indicates the reset value of the SACR.NORMALIZE bit. You can specify one of the following options: 0b0           The reset value of SACR.NORMALIZE is 0b0 0b1           The reset value of SACR.NORMALIZE is 0b1.

## A.4.5 Performance event signals

Table A-21 shows the performance event signals.

**Table A-21 Performance event signals**

Signal	I/O	Width	Description
<b>event_clk_&lt;tbuname&gt;</b>	O	1	Event of every TBU clock.
<b>event_clk64_&lt;tbuname&gt;</b>	O	1	Event for every 64 <sup>th</sup> TBU clock.
<b>event_wr_access_&lt;tbuname&gt;</b>	O	1	Event of every write access that passes through the TBU.

Table A-21 Performance event signals (continued)

Signal	I/O	Width	Description
<code>event_rd_access_&lt;tbuname&gt;</code>	O	1	Event of every read access that passes through the TBU.
<code>event_wr_refill_&lt;tbuname&gt;</code>	O	1	Event of the allocation in the TLB because of a write access in the corresponding TBU.
<code>event_rd_refill_&lt;tbuname&gt;</code>	O	1	Event of the allocation in the TLB because of a read access in the corresponding TBU.

You can use the performance-related outputs from the system performance monitoring unit to count different events.

You must drive the **spniden** signal from a module that determines whether Secure events can be traced in the same way as processors that support TrustZone. See the *ARM® CoreSight™ Architecture Specification* for more information.

# Appendix B

## Revisions

This appendix describes the technical changes between released issues of this book.

**Table B-1 Issue A**

Change	Location	Affects
No changes, first release.	-	-

**Table B-2 Differences between Issue A and Issue B**

Change	Location	Affects
Information added on TBU queue depth support.	<a href="#">Chapter 1 Introduction.</a> <a href="#">Chapter 2 Functional description.</a>	r1p0.
Information added on 128 contexts support.	<a href="#">Chapter 1 Introduction.</a>	r1p0.
Information added on support for configuring TCU core to run at half the clock speed compared to TCU external interfaces.	<a href="#">Chapter 1 Introduction.</a> <a href="#">Chapter 2 Functional description.</a>	r1p0.
Modified page size values for S1 and S2 translation.	<a href="#">Chapter 3 Programmers model.</a>	All revisions.
Information added on <a href="#">Global address space 1 on page 3-24.</a>	<a href="#">Chapter 3 Programmers model.</a>	All revisions.
Added the <b>dfmcpHold</b> signal to <a href="#">Tie-off signals on page A-15.</a>	<a href="#">Appendix A Signal descriptions.</a>	All revisions.
Information added on <a href="#">Peripheral and component identification registers summary on page 3-10.</a>	<a href="#">Chapter 3 Programmers model</a>	All revisions

Table B-2 Differences between Issue A and Issue B (continued)

Change	Location	Affects
Information added on TCU and TBU interfaces.	Chapter 1 <i>Introduction</i> . Chapter 2 <i>Functional description</i> .	All revisions.
Corrected the clock and power domains in <i>TBU0 and TCU sharing a common clock or power domain</i> on page 2-10.	Chapter 2 <i>Functional description</i> .	All revisions.
Information added on <i>TBU barrier support</i> on page 2-7.	Chapter 2 <i>Functional description</i> .	All revisions.
Added SMMU_TBU_PWR_STATUS register to <i>Integration registers</i> on page 3-26.	Chapter 3 <i>Programmers model</i> .	All revisions.

Table B-3 Differences between issue B and issue C

Change	Location	Affects
Information added on the following: <ul style="list-style-type: none"> <li>Support for 256 outstanding transactions for each TBU master interface.</li> <li>Support for priority elevation as part of QoS scheme.</li> </ul>	Chapter 1 <i>Introduction</i> .	r2p0.
Information added on the <b>dfmchold</b> signal in <i>Test features</i> on page 1-14.	Chapter 1 <i>Introduction</i> .	All revisions.
Information added on <i>Programming interface</i> on page 2-4.	Chapter 2 <i>Functional description</i> .	All revisions.
Information added on <i>Low-power interface for clock gating and power control</i> on page 2-8.	Chapter 2 <i>Functional description</i> .	All revisions.
Added StreamID configuration information on the following sections: <ul style="list-style-type: none"> <li><i>StreamID</i> on page 2-13.</li> <li><i>Debug Read Data registers</i> on page 3-19, <i>Debug read data register data format, word 5</i> on page 3-22.</li> <li><i>Sideband signals</i> on page A-13.</li> </ul>	Chapter 2 <i>Functional description</i> . Chapter 3 <i>Programmers model</i> . Appendix A <i>Signal descriptions</i> .	r2p0.
Added information on <i>AXI3 and AXI4 support</i> on page 2-21.	Chapter 2 <i>Functional description</i> .	All revisions.
Added illustrations on <i>StreamID</i> on page 2-13.	Chapter 2 <i>Functional description</i> .	All revisions.
Added information on <i>Modes of operation and execution</i> on page 3-3.	Chapter 3 <i>Programmers model</i> .	All revisions.
Added new registers in Table 3-2 on page 3-7.		
Added information on <i>Performance monitoring</i> on page 3-23.		
Added new register bit in <i>Auxiliary Configuration registers</i> on page 3-12.		
Added usage constraint for <i>Auxiliary Control registers</i> on page 3-25.		
Updated information on <i>Peripheral and component identification registers summary</i> on page 3-10.		
Updated information on <i>Peripheral Identification register 2</i> on page 3-38.		
Updated information on <i>Peripheral Identification register 4</i> on page 3-38.		
Updated information on the following sections: <ul style="list-style-type: none"> <li><i>Clock and reset signals</i> on page A-2.</li> <li><i>Write address channel signals</i> on page A-3.</li> <li><i>Tie-off signals</i> on page A-15.</li> </ul>	Appendix A <i>Signal descriptions</i> .	All revisions.



**Table B-4 Differences between Issue C and Issue D**

<b>Change</b>	<b>Location</b>	<b>Affects</b>
Added a new signal to <i>MMU-500 in system context</i> on page 1-5.	Chapter 1 <i>Introduction</i> .	r2p1.
Added information on <i>AXI3 and AXI4 support</i> on page 2-21.	Chapter 2 <i>Functional description</i> .	r2p1.
Added new register bit in <i>Auxiliary Configuration registers</i> on page 3-12.	Chapter 3 <i>Programmers model</i> .	r2p1.
Added a new signal information to <i>Tie-off signals</i> on page A-15.	Appendix A <i>Signal descriptions</i> .	r2p1.

**Table B-5 Differences between Issue D and Issue E**

<b>Change</b>	<b>Location</b>	<b>Affects</b>
Changed the value of SMMU_IDR7.MINOR [3:0] from 0x1 to 0x2 in <i>Reset values of SMMU_IDR registers, both Secure and Non-secure</i> on page 3-6.	Chapter 3 <i>Programmers model</i> .	r2p2.

**Table B-6 Differences between Issue E and Issue F**

<b>Change</b>	<b>Location</b>	<b>Affects</b>
Clarified shared configuration description that accompanies <a href="#">Figure 2-4 on page 2-10</a> .	<i>Low-power interface for clock gating and power control</i> on page 2-8.	All revisions.
Added note to clarify that MMU-500 does not support configuration errors.	<i>Operation</i> on page 2-12.	All revisions.
Clarified statement about memory attribute normalization.	<i>AXI3 and AXI4 support</i> on page 2-21.	All revisions.
Added information about error handling.	<i>Modes of operation and execution</i> on page 3-3.	All revisions.
Modified SMMU_IDR7.MINOR value.	Table 3-1 on page 3-6.	r2p4.
Modified SMMU_PMCEID0.EVENT reset values.	Table 3-2 on page 3-7.	All revisions.
Modified SMMU_PIDR3.RevAnd reset value.	Table 3-34 on page 3-38.	All revisions.
Clarified WDW and WSW footnotes.	Table A-6 on page A-6.	All revisions.
Clarified description of cfg_cttw bit.	Table A-20 on page A-15.	All revisions.